

RTD-Link[®]-200 6-Channel Wireless RTD Node



RTD-Link[®]-200 - 6-channel temperature sensor node

The RTD-Link[®]-200 is a 6-channel wireless sensor used for precise measurement of RTDs and thermistors. No calibration is required. Select the sensor type and the node will output accurate, low noise temperature or resistance data.

Wireless sensing eliminates the time and complexity of running long wires. Additionally, the RTD-Link-200's high channel count reduces the total cost per channel over many hard-wired DAQs.

Lord wireless sensor networks are fast to deploy and provide reliable, lossless data collection. SensorConnect software can be used for device configuration, live data monitoring, and data analysis. SensorCloud is Lord's optional cloud-based platform that optimizes data aggregation, analysis, and alerts for sensor data collected from remote networks.



HIGH PERFORMANCE SENSING

- 6 RTD or thermistor input channels
- On-board linearization algorithms
- On-board temperature sensor
- Digital filtering for up to 120 dB rejection of 50 and 60 Hz noise
- 2, 3, or 4 wire RTD compatibility

RELIABLE DATA COLLECTION

- **Lossless, synchronized, and scalable** networks using LXRS and LXRS+ protocol
- Remotely configure nodes and view sensor data using SensorConnect (PC), SensorCloud (web), or MSCL (API library)
- Low battery detection

CONFIGURABLE FOR MANY APPLICATIONS

- Report temperature or resistance
- Up to 64 Hz sampling
- Continuous or event-triggered operation
- Transmit data real-time and/or save to onboard memory

RUGGED

- Polycarbonate enclosure
- Bolt-down or DIN rail mounting
- -40 to +85°C operating temperature
- 4kV ESD protection

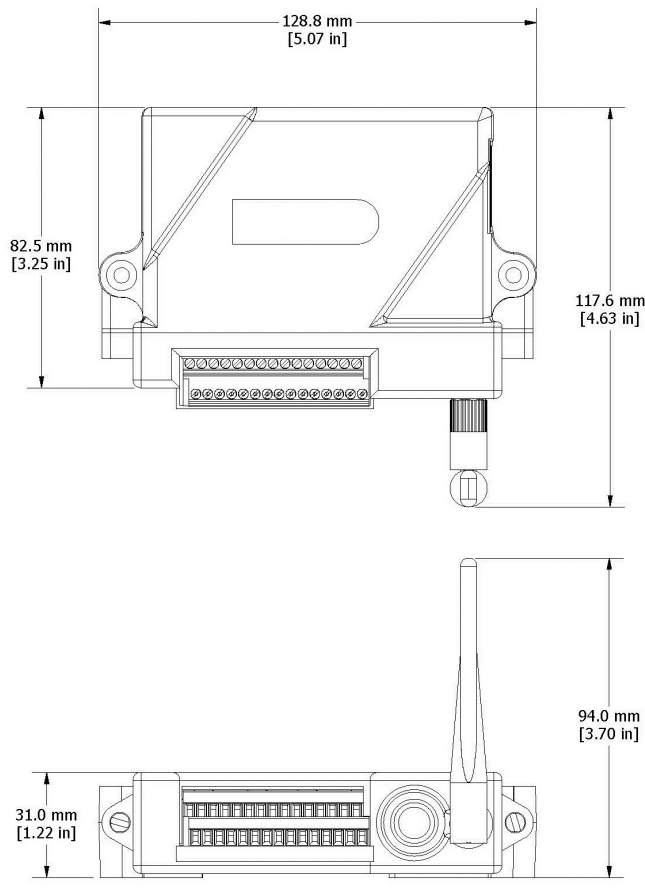
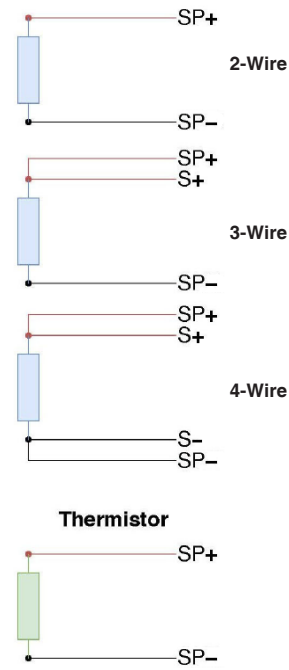
APPLICATIONS

- Thermal profiling
- Refrigeration monitoring
- Production process monitoring
- Quality control
- Environmental monitoring
- CBM (Condition Based Monitoring)

RTD-Link[®]-200 6-Channel Wireless RTD Node

General	
Sensor input channels	RTD or thermistor, 6 channels
Integrated sensors	Temperature, 1 channel
Digital filter	Adjustable low pass filter with up to 120 db 50/60 Hz rejection
Resolution	24 bit
RTD Input	
Measurement range	-200°C to 850°C
Accuracy	±0.1°C (typical) using PT-100 and 4 wire configuration
Noise	Less than 0.05°C (typical) using PT-100 and default 12 Hz LPF
Compatible types	PT-10, PT-50, PT-100, PT-200, PT-500, PT-1000
Thermistor Input	
Measurement range	-40°C to 150°C (Thermistor type dependent)
Accuracy	±1°C (Typical)
Noise	+/- 0.001°C typical using default 12Hz filter
Compatible types	44004, 44033, 44005, 44030, 44006, 44031, 44007, 44034, 44008, 44032, YSI-400
Integrated Temperature Channel	
Accuracy	±0.13°C (20°C to 70°C), ±0.25°C (-40°C to 85°C)
Resolution	0.02°C
Sampling	
Sampling modes	Continuous and event triggered
Output options	Temperature, Resistance or custom
Sampling rates	1 S/hr to 64 SPS (1 channel) 1 S/hr to 32 SPS (6 channel)
Network capacity	Up to 128 nodes per RF channel (bandwidth calculator) www.microstrain.com/configure-your-system
Node synchronization	±50 µsec
Data storage capacity	16 MB (up to 4,000,000 data points)
Operating Parameters	
Battery power	4 AA batteries in series. Total voltage between 3.4 V and 36 V
External power	4 V to 36 V DC
Wireless communication range	Outdoor/line-of-sight: 2 km (ideal), 800 m (typical) Onboard antenna: 1 km (ideal), 400 (typical) Indoor/obstructions: 50 m (typical)
Radio frequency (RF) transceiver carrier	License-free 2.405 to 2.480 GHz (16 channels)
RF transmit power	User-settable 0 dBm to 20 dBm (restricted regionally)
Operating temperature	-40°C to +85°C
ESD	4 kV
Mechanical Shock Limit	250g/1.5ms with batteries installed 500g/1.5ms without batteries installed (external power source)
Physical Specifications	
Dimensions	129 mm x 82.5 mm x 31 mm (excluding antenna)
Interface	Screw-down terminal
Weight	283 grams (with batteries), 217 grams (without batteries)
Integration	
Compatible gateways	All WSDA gateways
Software	SensorCloud, SensorConnect, Windows 7, 8 & 10 compatible
Software development kit	http://www.microstrain.com/software/mscl
Regulatory compliance	FCC (USA), IC (Canada), CE (European Union), JET (Japan)

Resistance Thermometer



LORD Sensing MicroStrain
459 Hurricane Lane Suite 102
Williston, VT 05495 • USA
www.microstrain.com



For further information or pricing, please contact us:

Melbourne 03 9872 4592 Sydney 02 9460 4355
Brisbane 07 3868 4255 Adelaide 08 8343 8516

sales@metromatics.com.au
www.metromatics.com.au

