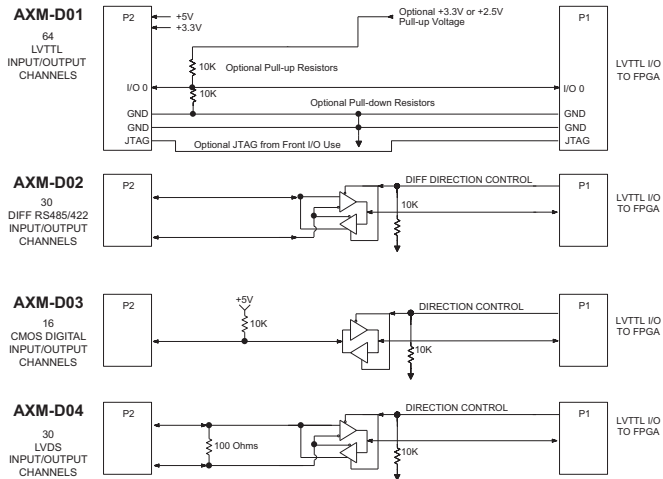
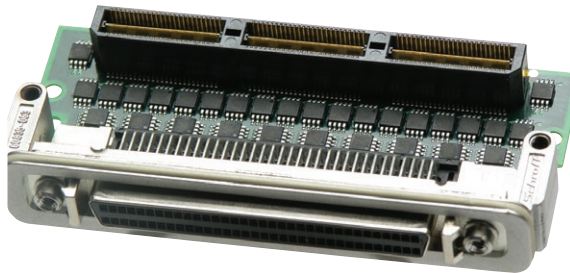


Extension I/O Modules

AXM Series Digital I/O Extension Modules



Plug-In I/O Modules ♦ Choose from four I/O Options ♦ JTAG Support Option

Description

AXM Series extension modules offer numerous I/O options for Acromag's PMC and XMC modules with configurable FPGAs. These extension modules plug into the front mezzanine on Acromag's I/O compatible FPGAs.

AXM-D01 LVTTL I/O

This module provides 64 LVTTL I/O channels for straight through I/O. custom modules are available for optional pull-ups, pull-downs, JTAG, and fusted power for front I/O use.

AXM-D02 RS-485 Differential I/O

This module provides 30 differential I/O channels. Data direction, either input or output, on each channel is independently controlled. Eight of the channels support programmable change-of-state interrupts. JTAG option.

ACR5264 LVDS and RS-485 Differential I/O

This module provides 30 differential I/O channels. Data direction, either input or output, on each channel is independently controlled. Eight of the channels support programmable change-of-state interrupts. 16 LVDS and 14 RS-485 differential I/O channels.

AXM-D03 CMOS and RS-485 Differential I/O

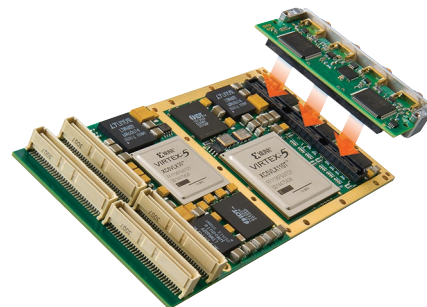
This module provides 16 CMOS and 22 RS-485 differential I/O channels. Data direction, either input or output, on each channel is independently controlled. Eight of the channels support programmable change-of-state interrupts.

AXM-DX03 CMOS and RS-485 Differential I/O

Same as AXM-D03 above except 16 CMOS and 24 RS-485 differential I/O channels. Provides a replacement for legacy PMC-DX503/2003 FPGA modules when used with PMC/XMC-SLX.

AXM-D04 LVDS

This module provides 30 channels of low voltage differential signaling with independently configured direction. Interrupts are programmable on eight of the channels for any bit change of state or level. JTAG option



AXM modules attach to PMC Modules with user-configurable FPGAs.

Key Features & Benefits

- Various modules allows users to select the Front I/O required for their application.
- Differential RS485/RS422 can be configured for input or output with independent direction control.
- Interface with 5V compliant input/output CMOS channels which can be configured as input or output with independent direction control.
- Low voltage differential signaling can be configured for input or output with independent direction control.
- The EDK board provides the standard Xilinx JTAG interface to allow direct programming of the FPGA and an interface with ChipScope®.
- Example code provides interrupts that are software programmable for any bit Change-Of-State or level on 8 channels.
- Example Design – The example VHDL design, provided in the base board EDK, includes control of all I/O, and eight Change-Of-State interrupts.



Tel 248-295-0310 ■ solutions@acromag.com ■ www.acromag.com ■ 30765 Wixom Rd, Wixom, MI 48393 USA

Extension I/O Modules

AXM Series Digital I/O Extension Modules

Performance Specifications

AXM-D01

Channel configuration: 64 channel bi-directional LVTTTL signals are independently direction controlled. LVTTTL I/O characteristics: all I/O characteristics are determined by the FPGA.

AXM-D02

Channel configuration: 30 bi-directional differential signals with independently configured direction. Channels to the FPGA are buffered using EIA RS485/RS422 line transceivers. Optional JTAG access via front connector.

Differential driver output voltage:

1.5V minimum., 3.3V maximum with 54 ohm load.

ACR5264

Channel configuration: 16 channels of low voltage differential signaling with independently configured I/O direction and 14 bi-directional differential signals with independently configured direction.

RS485 channels: Same as AXM-D02

LVDS channels: Same as AXM-D04

AXM-D03

Channel configuration: 16 bi-directional CMOS transceivers (input/output direction controlled as pairs of channels) and 22 bi-directional differential signals with independently configured direction.

Differential channels: Same as AXM-D02.

CMOS I/O electrical characteristics:

V_{OH}: 3.8V minimum V_{OL}: 0.55V maximum

I_{OH}: -32.0mA I_{OL}: 32.0mA

V_{IH}: 3.5V minimum V_{IL}: 1.5V maximum

AXM-DX03

Same as AXM-D03 above except 16 CMOS and 24 RS-485 differential I/O channels. Provides a replacement for legacy PMC-DX503/2003 FPGA modules when used with PMC/XMC-SLX.

AXM-D04

Channel configuration: 30 channels of low voltage differential signaling with independently configured I/O direction. Optional JTAG access via front connector.

LVDS I/O electrical characteristics:

LVDS driver output voltage: 247mV min., 454mV max.

Common mode output voltage: 1.37V max.

LVDS Input Threshold Voltage: -50mV min., 50mV max.

Physical Dimensions

Size

11.5 mm high x 31.0 mm deep x 74.0 mm wide
(0.453 inches x 1.220 inches x 2.913 inches)

Stacking height

8.0 mm (0.315 inches).

PMC Compliance

Complies with PMC Specification P1386.1 for a single-width PMC module when attached to the PMC front mezzanine.

Connectors

Front field I/O: 68-pin, SCSI-3, female receptacle header (AMP 5787394-7 or equivalent).

Environmental

Operating temperature

-40 to 85°C

Storage temperature

-55 to 150°C

Relative humidity

5 to 95% non-condensing

Power:

1.5W typical (AXM-D02, AXM-D03)

0.6W typical (AXM-D04)

MTBF

Hours are at 25°C, MIL-HDBK-217F, Notice 2

AXM-D01: TBD

AXM-D02: 3,559,276 hours

AXM-D03: 3,921,522 hours

AXM-DX03: TBD

AXM-D04: 6,534,197 hours

Ordering Information

AXM Plug-In I/O Modules

[AXM-D01](#)

64 bi-directional LVTTTL I/O channels

[AXM-D02](#)

30 RS-485 Differential I/O channels

[ACR5264](#)

Same as AXM-D02 except 16 LVDS and 14 RS485 I/O channels

[AXM-D02-JTAG](#)

Same as AXM-D02 plus JTAG support

[AXM-D03](#)

16 CMOS and 22 RS485 differential I/O channels

[AXM-DX03](#)

16 CMOS and 24 RS485 differential I/O channels

[AXM-D04](#)

30 LVDS I/O channels

[AXM-D04-JTAG](#)

Same as AXM-D04 plus JTAG support

AXM-??

Custom I/O configurations available, call factory.

Accessories

[5025-288](#)

Termination Panel for 68-pin SCSI-3 cable to connect field I/O Signals to the board.

[5028-432](#)

Round shielded cable, 34 twisted pairs, SCSI-3 male connector at both ends. Connects model 5025-288 termination panel to the board. 2 meters long.

[XMC FPGA Modules](#)

[PMC FPGA Modules](#)



Metromatics

For further information or pricing, please contact us:

Melbourne 03 9872 4592 Sydney 02 9460 4355
Brisbane 07 3868 4255 Adelaide 08 8343 8516

sales@metromatics.com.au
www.metromatics.com.au

ISO9001
AS9100 
MADE IN USA

Acromag 
THE LEADER IN INDUSTRIAL I/O

Tel 248-295-0310 ■ solutions@acromag.com ■ www.acromag.com ■ 30765 Wixom Rd, Wixom, MI 48393 USA