

FEATURES

- Ultra low deflection
- Robust strain relief
- 17-4 PH stainless-steel construction
- For use in compression
- Utilizes metal foil strain gauge technology

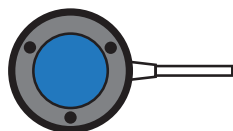
 Non-loading surface, do not contact

 Active End

 Fixed End



Top view



Bottom view



+ Output (compression)

SPECIFICATIONS

PERFORMANCE

Nonlinearity $\pm 0.5\%$ of RO

Hysteresis $\pm 0.5\%$ of RO

Nonrepeatability $\pm 0.1\%$ of RO

ELECTRICAL

Rated Output (RO) 2 mV/V nom

Excitation (VDC or VAC) 18 max

Bridge Resistance 700 Ohm nom

Insulation Resistance ≥ 500 MOhm @ 50 VDC

Connection #28 AWG 4 conductor braided shielded PVC cable, 10 ft [3 m] long

Wiring/Connector Code WC1 (Cable Version)

MECHANICAL

Weight (approximate) 10.4 oz [294.8 g]

Safe Overload 150% of RO

Deflection See chart on next page

Material 17-4 PH stainless-steel

IP Rating IP64 (Cable Version)

TEMPERATURE

Operating Temperature -60 to 200°F [-50 to 93°C]

Compensated Temperature 60 to 160°F [15 to 72°C]

Temperature Shift Zero $\pm 0.01\%$ of RO/ $^\circ\text{F}$ [0.018% of RO/ $^\circ\text{C}$]

Temperature Shift Span $\pm 0.02\%$ of LOAD/ $^\circ\text{F}$ [0.036% of LOAD/ $^\circ\text{C}$]

CALIBRATION

Calibration Test Excitation 10 VDC

Calibration (standard) 5-pt Compression

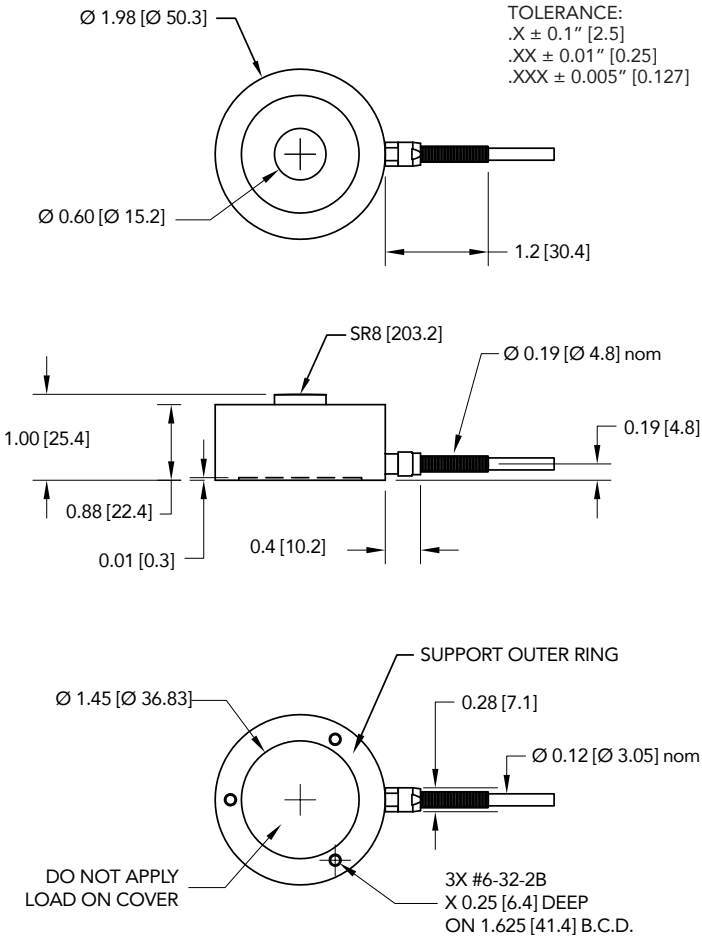
Shunt Calibration Value 100 kOhm

CONFORMITY

RoHS EU 2015/863

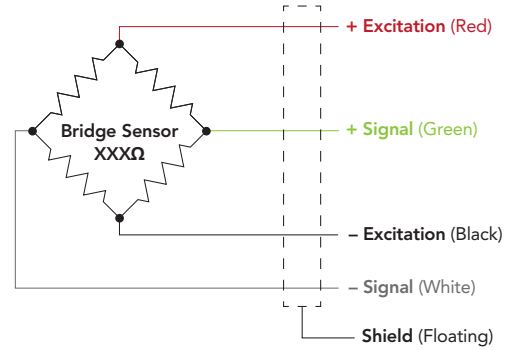
CE EN55011; EN61326-1

DIMENSIONS inches [mm]



WIRING CODE (WC1 WITH SHIELD)

RED	+ EXCITATION
BLACK	- EXCITATION
GREEN	+ SIGNAL
WHITE	- SIGNAL
SHIELD	FLOATING



CAPACITIES

ITEM #	lb	N	Deflection (in)	Natural Frequency (kHz)
FSH04540	15k	66720	0.0027	18.6
FSH04541	20k	88960	0.0032	19.2
FSH04542	30k	133440	0.0037	20

Drawing Number: F11436-A

FUTEK reserves the right to modify its design and specifications without notice. Please visit www.futek.com/salesterms for complete terms and conditions.

10 Thomas, Irvine, CA 92618 USA
 Tel: (949) 465-0900

www.futek.com



R0HS



U.S. Manufacturer