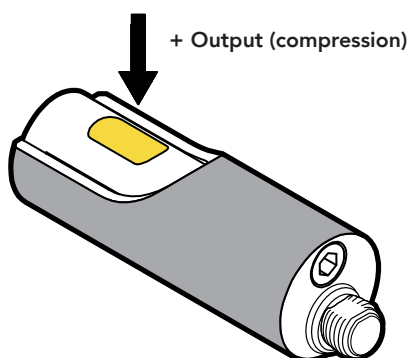




FEATURES

- Ideal for automotive and medical pinch force applications
- Complies with Federal Motor Vehicle Safety Standard FMVSS 118
- Slim design to mimic the size of a finger
- Strain gauge based technology with lightweight aluminum body
- Integrated [IEEE1451.4 TEDs](#) for Plug and Play with compatible instruments
- Embedded [PT-1000 temperature sensor](#)

- Active end
- Fixed end



SPECIFICATIONS

PERFORMANCE

Nonlinearity ±0.15% of RO

ELECTRICAL

Rated Output (RO) 2 mV/V

Excitation (VDC or VAC) 12 max

Bridge Resistance 1000 Ohm nom

Insulation Resistance ≥500 MOhm @ 50 VDC

Connection FUTEK 11-PIN Connector

Wiring Code CC20

Temperature Sensor Current Range 0.1 to 0.3 mA

MECHANICAL

Weight 0.7 oz [20 g]

Safe Overload 200% of RO

Material Aluminum, red anodized

IP Rating IP40

TEMPERATURE

Operating Temperature 0 to 160°F [-18 to 72°C]

Compensated Temperature 60 to 160°F [15 to 72°C]

Temperature Shift Zero ±0.01% of RO/°F [0.018% of RO/°C]

Temperature Shift Span ±0.02% of Load/°F [0.036% of Load/°C]

CALIBRATION

Calibration Test Excitation 10 VDC

Calibration (standard) 5-pt compression

Shunt Calibration Value 150 kOhm

CONFORMITY

RoHS EU 2015/863

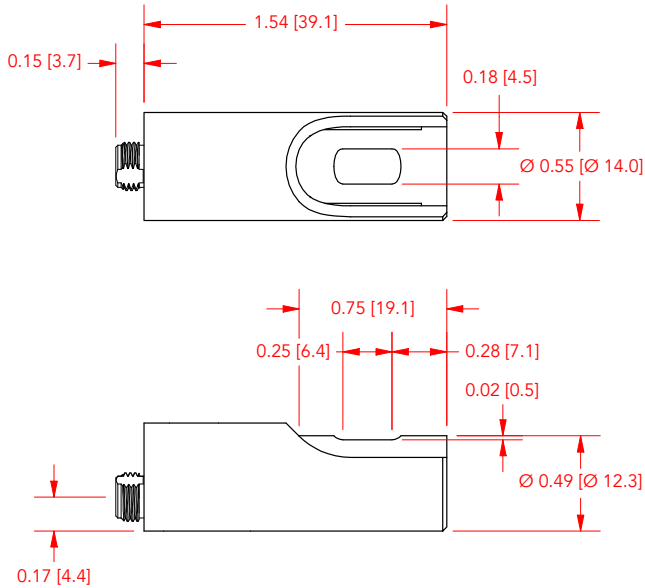
CE EN55011; EN61326-1

RTD Sensor Compliant to DIN EN60751

RTD Tolerance Class F0.3 (Class B) =
± (0.3 + 0.005 x | Temperature (°C) |)

DIMENSIONS inches [mm]

TOLERANCE:
 .X ± 0.1" [2.5 mm]
 .XX ± 0.01" [0.25 mm]
 .XXX ± 0.005" [0.127 mm]



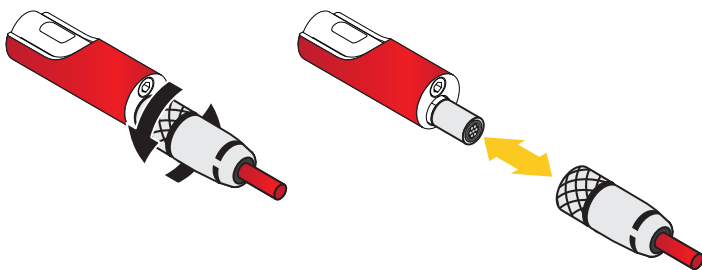
*MATING CABLE SOLD SEPARATELY

CAPACITIES

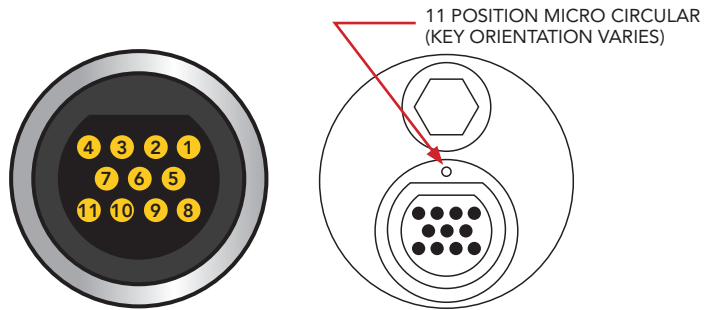
ITEM #	lb	N	Deflection (in)	Natural Frequency (Hz)
FSH04633	50	222	0.004	6300

WIRING CODE FUTEK 11-PIN CONNECTOR

PIN	DESCRIPTION	COLOR
1	+ Excitation	Red
2	+ Signal	Green
3	- Signal	White
4	- Excitation	Black
5	TEDS Data	Orange
6	TEDS Return	Blue
7	Temperature Data	Brown
8	Temperature Data	Gray
9	NC	Violet
10	NC	Yellow
11	NC	Clear



Note: In mated condition, the coupling nut must be threaded clockwise to secure. To demate, rotate counter-clockwise before disconnecting the cable.



Drawing Number: F11550-A

FUTEK reserves the right to modify its design and specifications without notice. Please visit www.futek.com/salesterms for complete terms and conditions.

10 Thomas, Irvine, CA 92618 USA
 Tel: (949) 465-0900

www.futek.com



R0HS



U.S. Manufacturer