

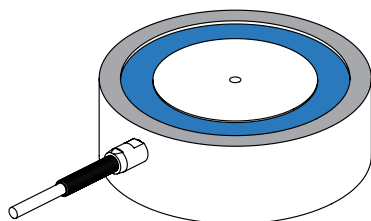
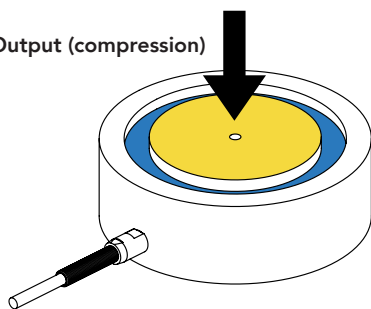


## FEATURES

- Fast response time
- Robust strain relief
- Compatible in load washer applications
- Offered in a variety of capacities and inner diameters

- Non-loading surface, do not contact
- Active End
- Fixed End

+ Output (compression)



## SPECIFICATIONS

### PERFORMANCE

Nonlinearity	±0.5% of RO
Hysteresis	±0.5% of RO
Nonrepeatability	±0.5% of RO

### ELECTRICAL

Rated Output (RO)	2 mV/V nom
Excitation (VDC or VAC)	18 max
Bridge Resistance	700 Ohm nom
Insulation Resistance	≥500 MOhm @ 50 VDC
Connection	#24 AWG, 4 conductor, braided shielded Teflon cable, 10 ft [3 m] long

Wiring/Connector Code WC1

### MECHANICAL

Capacities	15000 lb* [66723 N]*, 30000 lb* [133440 N]*, 50000 lb* [222400 N]*
Weight (approximate)	26 oz [737 g]
Safe Overload	150% of RO
Deflection	0.002 in [0.05 mm] nom
Material	17-4 PH stainless-steel
IP Rating	IP64

### TEMPERATURE

Operating Temperature	-60 to 200°F (-50 to 93°C)
Compensated Temperature	60 to 160°F (15 to 72°C)
Temperature Shift Zero	±0.005% of RO/°F (0.01% of RO/°C)
Temperature Shift Span	±0.005% of Load/°F (0.01% of Load/°C)

### CALIBRATION

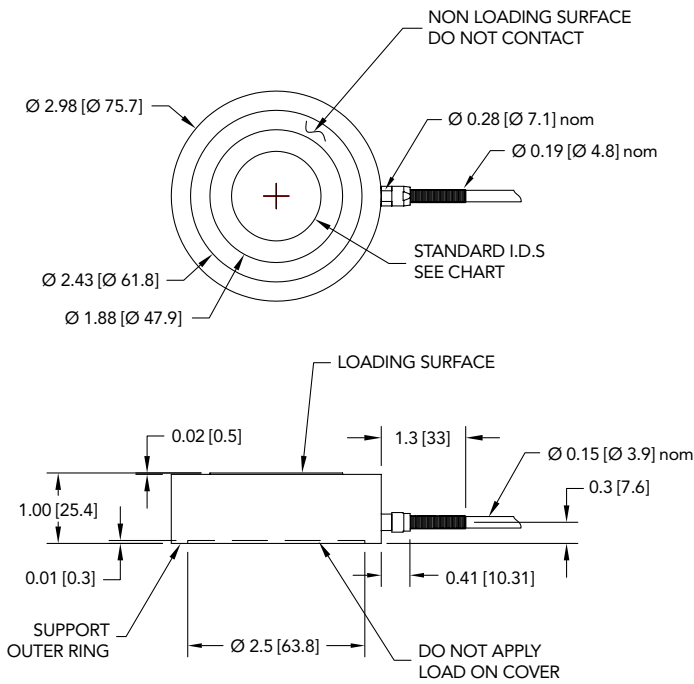
Calibration Test Excitation	10 VDC
Calibration (standard)	5-pt Compression
Shunt Calibration Value	100 kOhm

\*Commonly stocked capacities

### CONFORMITY

RoHS	EU 2015/863
CE	EN55011; EN61326-1

## DIMENSIONS inches [mm]



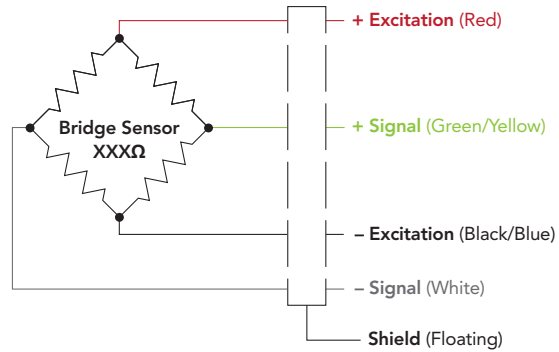
## INNER DIAMETER

ID	Dimension <sup>+0.01</sup> <sub>-0.00</sub> [ <sup>+0.25</sup> <sub>-0.00</sub> ]
1/8	0.134 [3.40]
3/16	0.197 [5.01]
1/4	0.259 [6.58]
3/8	0.384 [9.75]
7/16	0.447 [11.35]
1/2	0.509 [12.93]
5/8	0.634 [16.10]
3/4*	0.769 [19.53]
7/8	0.894 [22.71]
1	1.019 [25.88]
1 1/4*	1.269 [32.23]

\*Commonly stocked inner diameters

## WIRING CODE (WC1 WITH SHIELD)

RED	+ EXCITATION
BLACK	- EXCITATION
GREEN	+ SIGNAL
WHITE	- SIGNAL
SHIELD	FLOATING



**Note:** While torquing bolts, high tension forces will occur during installation, which could result in overloading the sensor. FUTEK recommends connecting the sensor to a system in order to monitor the applied forces. FUTEK is not liable or responsible for the mishandling of the sensor during installation.

Drawing Number: F11427-B

FUTEK reserves the right to modify its design and specifications without notice. Please visit [www.futek.com/salesterms](http://www.futek.com/salesterms) for complete terms and conditions.

10 Thomas, Irvine, CA 92618 USA

Tel: (949) 465-0900

Fax: (949) 465-0905

[www.futek.com](http://www.futek.com)



ROHS



U.S. Manufacturer