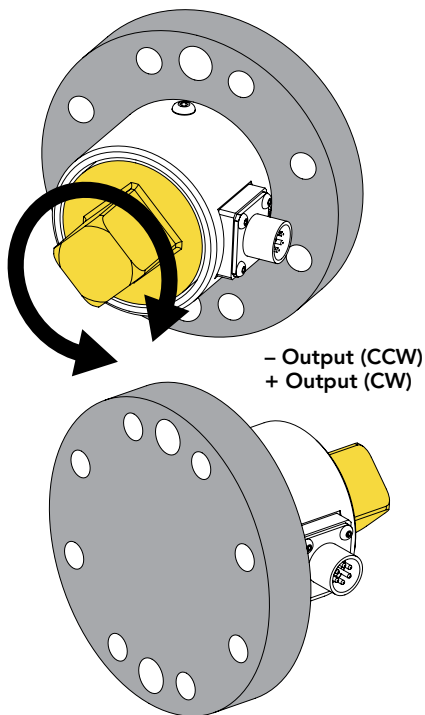




**FEATURES**

- Easily integrates into OEM applications
- Designed for Torque auditing
- Stainless-steel construction
- Strain gauge based

- Active end
- Fixed end



**SPECIFICATIONS**

**PERFORMANCE**

Nonlinearity	±0.1% of RO
Hysteresis	±0.1% of RO
Nonrepeatability	±0.2% of RO

**ELECTRICAL**

Rated Output (RO)	2 mV/V nom
Excitation (VDC or VAC)	20 max
Bridge Resistance	700 Ohm nom
Connection	6 Pin BENDIX Receptacle (PT02H-10-6P)
Wiring Code	CC1/CC1T

**MECHANICAL**

Weight (approximate)	80 oz [2.3 kg]
Safe Overload	150% of RO
Material	17-4 PH stainless-steel (flexure) Aluminum (cover)
IP Rating	IP40

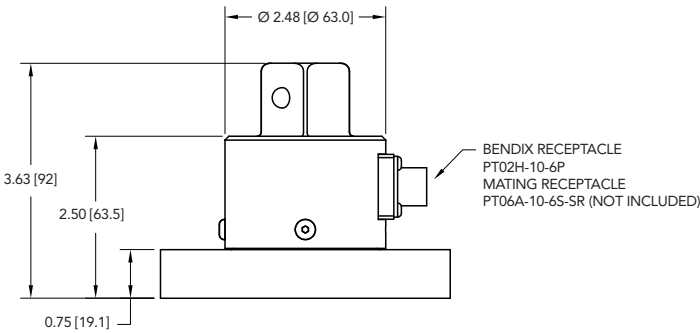
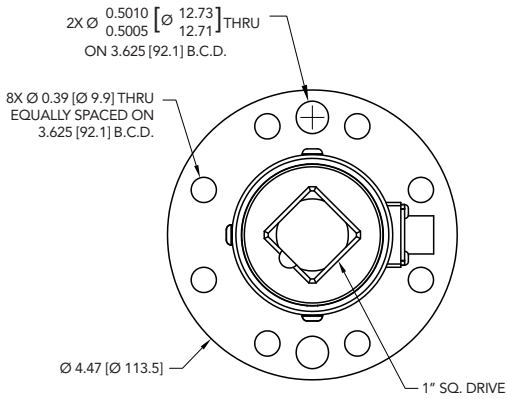
**TEMPERATURE**

Operating Temperature	-60 to 200°F (-50 to 93°C)
Compensated Temperature	60 to 160°F (15 to 72°C)
Temperature Shift Zero	±0.002% of RO/°F (0.0036% of RO/°C)
Temperature Shift Span	±0.002% of Load/°F (0.0036% of Load/°C)

**CALIBRATION**

Calibration Test Excitation	10 VDC
Calibration (standard)	5-pt CW
Calibration (available)	5-pt CW & CCW
Shunt Calibration Value	100 kOhm

## DIMENSIONS inches [mm]

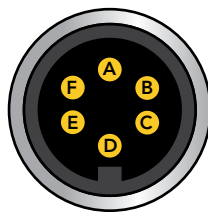


## CAPACITIES

ITEM #	in-lb	Nm	Square Drive	Torsional Stiffness in-lb/rad
FSH04073	24000	2712	1"	3.60 X 10 <sup>6</sup>

## BENDIX 6-PIN (CC1/CC1T)

PIN	COLOR	DESCRIPTION	TEDS DESCRIPTION
A	Red	+ Excitation	+ Excitation
B	Black	- Excitation	- Excitation
C	Green	+ Signal	+ Signal
D	White	- Signal	- Signal
E	Orange	+ Sense	TEDS Data
F	Blue	- Sense	TEDS Ground



Sensor Receptacle View

Drawing Number: F11474

FUTEK reserves the right to modify its design and specifications without notice. Please visit <http://www.futek.com/salesterms> for complete terms and conditions.

10 Thomas, Irvine, CA 92618 USA

Tel: (949) 465-0900

Fax: (949) 465-0905

[www.futek.com](http://www.futek.com)

RoHS



U.S. Manufacturer