



FEATURES

- USB 2.0 Communication Link
- USB Bus-Powered
- Input/Output Short Circuit Protection
- Streaming ASCII Output
- CE approved
- Supports Voltage Sensors (FSH03631)
- Supports Current Sensors (FSH03634)

IMPORTANT NOTE: ONLY CONNECT DEVICE TO USB 2.0 PORT

SPECIFICATIONS

GENERAL

Sampling Rate	Up to 4800 SPS
Bandwidth (Hz)	Sampling Rate (SPS) / 4
Internal Resolution	24 bits
Resolution (Noise Free)	See Chart
Non Linearity	± 0.005% of FSR
Output	Digital Packetized Data
Integrated Digital Filter	50 Hz/60 Hz Rejection (100 dB)
On Chip Memory	1 Kilobyte
Stored Calibration	Up to 16 Points
Weight	Approx. 10 g
IP Rating	IP50

VOLTAGE TYPE (FSH03631)

Power Output	12 VDC/1W
Voltage Input	± 10 VDC (Factory Default)
Power Supply	USB Bus (5 VDC ± 5%)

CURRENT TYPE (FSH03634)

Power Output	12 VDC/1W
Current Input	0-30 mA
Power Supply	USB Bus (350 mA)

CONNECTORS

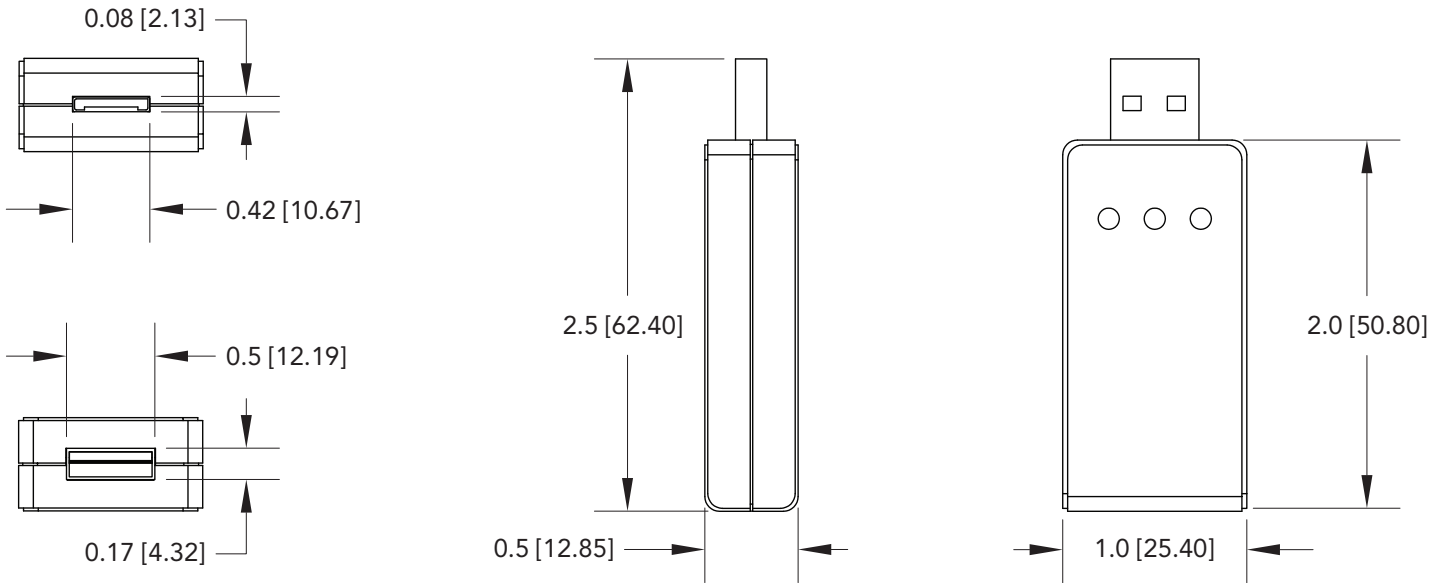
Sensor Connector	Hirose LX40-12P
Mating Connector	Hirose LX60-12S
USB 2.0 Connector	Type A Plug

¹ Speed = $\Delta \alpha \times 60 / \text{PPR}$

² 1W power output

³ For 0–30 mA use item FSH03634; for 10 VDC use FSH03631

DIMENSIONS inches [mm]



SPECIFICATIONS (continued)

ENVIRONMENT

Operating Temperature	-13°F to 185°F [-25°C to 85°C]
Storage Temperature	-40°F to 257°F [-40°C to 125°C]

CONFORMITY

RoHS	EU 2015/863
CE	EN 61326-1:2006

LED INDICATORS

Blinking blue (10 Hz)	Module Auto-Calibration
Blinking blue (1 Hz)	Module Normal Operation
Green	USB Power
Red	USB Data Link

SAMPLING RATE

SAMPLES PER SECOND (SPS)	RESOLUTION (NOISE FREE BITS)
5	21
100	19
300	18.1
1200	17
2400	16
4800	16

ACCESSORIES

- SENSIT Software (FSH03189)**
 14 Day Trial - Available to download on FUTEK website. A license is required, per seat, after 14 days to benefit the features such as data logging, graphing, etc. Trial version turns into basic read-out ONLY after 14 days and a product key is required to enable the features.

Drawing Number: FI1380-D

FUTEK reserves the right to modify its design and specifications without notice. Please visit <http://www.futek.com/salesterms> for complete terms and conditions.

10 Thomas, Irvine, CA 92618 USA
 Tel: (949) 465-0900

www.futek.com



RoHS



U.S. Manufacturer