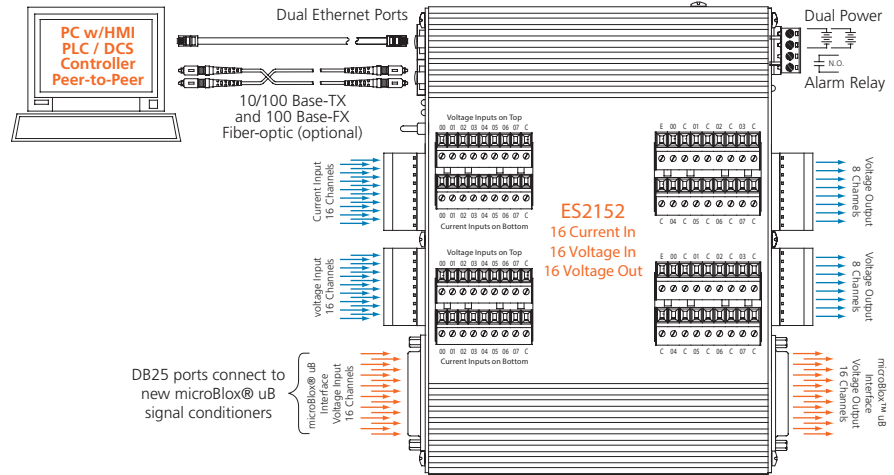


Ethernet I/O: EtherStax® Series

ES2152 Ethernet Analog Input/Output Modules

UL LISTED /24 HOUR STOCK ITEM 2 YEAR WARRANTY



32 analog current/voltage inputs ◆ 16 analog voltage outputs ◆ Modbus TCP/UDP, i2o communication

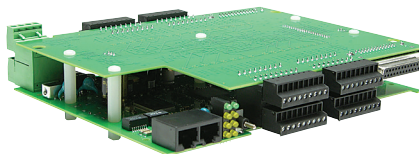
Description

These EtherStax I/O units provide a rugged, high-density, and high-speed solution to interface a large quantity of analog input signals. Units accept 16 single-ended analog voltage inputs and 16 single-ended current inputs. The ES2152 also provides 16 analog voltage outputs. Two DB25 ports support an alternate interface of voltage I/O from microBlox® uB input or output modules. This combination of high-density analog inputs and outputs is ideal for many sensor interface applications in remote zones.

EtherStax units are built and tested for high reliability and dependable performance in hostile environments. Available in an aluminum enclosure or as an open circuit board, both formats stack vertically to maintain a very small footprint.



Interface to microBlox® uB signal conditioning modules.



Open circuit board versions are also available.



Select from more than 100 microBlox® uB input and output modules.

Input Ranges

±5V, ±10V, ±20mA, 0-20mA, 4-20mA DC

Output Ranges

±5V, ±10 V DC

Ethernet Communication

10/100Base-T(X) and 100Base-FX, Automatic MDI/MDI-X on all copper ports, Modbus TCP/IP or UDP/IP protocol i2o peer-to-peer

Power Requirement

18 to 36V DC (redundancy-ready)

Approvals

UL/cUL:
Zone 2, Class 1, Division 2, Groups ABCD

Key Features & Benefits

- 48-channel high-density combination of analog inputs and outputs
- DB25 ports for alternate voltage I/O from microBlox® uB signal conditioning backpanels
- 4-way isolation and surge suppression
- High-resolution 16-bit A/D and D/A's
- High-speed scanning for 10 millisecond update of all 48 channels
- Automatic zero/span calibration
- Built-in loop-back circuit verifies outputs
- On-demand self-test verifies calibration
- Web browser configuration
- User-configurable sample averaging and integration/totalization function with non-volatile registers
- Dual-format data registers support 16-bit integers or 32-bit floating point
- Scaling registers on all channels
- Peer-to-peer i2o communication with percent-of-span and timed updates



Performance Specifications

◆ General Specifications

See Page 7 for communication and other specs.

◆ Analog Field Inputs

Input Channel Configuration

16 single-ended analog voltage inputs and
16 single-ended analog current inputs.

Input Ranges (select on per-channel basis)

±5V, ±10V, ±20mA, 0-20mA, or 4-20mA DC.

Input Scaling (per-channel basis)

Floating Point Format: IEEE-754.

Input Resolution

16-bit maximum, 0.00166% (1 part in 60,000).

Input Accuracy

Current Input: Better than 0.1% of range.

Voltage Input: Better than 0.05% of range.

Input Impedance

Voltage: 4M ohms minimum.

Current: 100 ohms.

Input Scan Groups and Scan Times

Eight user-enabled 4-channel scan groups. 770µS
update/group (5mS for all 32 channels) with averaging,
loopback, and totalization functions disabled.

Input Overvoltage Protection

Bipolar Transient Voltage Suppressers (TVS),
18V clamp level typical.

Noise Rejection

CMR (50-60Hz): Better than -72dB.

Sample Averaging (user-configurable)

0-500 samples. One register for all channels.

◆ Analog Field Outputs

Output Channel Configuration

16 DC voltage outputs

Output Ranges (per-channel basis)

±5V, ±10V DC (at ±1mA).

User-configured on a per-channel basis.

Output Impedance

1 ohm maximum.

Output Resolution and Accuracy

Resolution (±10V): 16-bit maximum, 0.00166%

Resolution (±5V): 15-bit maximum, 0.00305%

Accuracy: Better than 0.05% of range.

◆ Local Alarm Output

Configuration

Failsafe or non-failsafe (user-configurable) relay trips on
power or link-loss failure.

Type

SPST-NO, 1 Form A, Class I, Division II approved.

Rating

3A @ 24V DC/250V AC, 100,000 cycles general.

2A @ 24V DC/250V AC, Hazardous locations.

Maximum Switching Voltage and Power

250V AC / 750VA, 125V DC / 90W.

◆ i2o Peer-to-Peer Communication

Each port of 8 input channels can be mapped to out-
put ports of two ES215x units. Updates based on time
(100mS resolution) or percent of range change (0.1%
resolution).

◆ Ethernet Interface

Internal Switch or Hub/Repeater

Dual-port Ethernet switch. User-configurable as a true
switch (default mode) or low-latency hub.

Network Connector [10/100 Base-T(X)Copper]

One or two 8-pin RJ-45 connectors. Automatic MDI/
MDI-X. 100m communication distance.

Network Connector (100 Base-FX Fiber-optic)

One multi-mode with SC connector. 2km communica-
tion distance. Full/half-duplex, selectable.

Protocols

Modbus TCP/IP, UDP/IP, i2o peer-to-peer.

Addressing

StaticIP, DHCP, BootP.

Ethernet Modbus TCP/IP Sockets/Sessions

1-10 socket/sessions user-configurable.

Ethernet Redundancy

Compatible with STP, RSTP, or any ring scheme.

◆ Environmental

Operating and Storage Temperature

Operating: -40 to 70°C (-40 to 158°F)

Storage: -40 to 85°C (-40 to 185°F)

Power Requirements

18-36V DC. Redundant, diode-coupled terminals.

4.8W (copper ports), 5.8W (fiber-optic ports).

Isolation

I/O, power, relay and Ethernet port-to-port.

Peak: 1500V AC, ANSI/ISA-82.01-1988

Continuous: 250V AC, 354V DC (150V AC ch-ch)

◆ Enclosure and Physical

Housing Classification and Dimensions

IP20: 8.226 x 2.444 x 7.25", 4 lbs. packed

PCB: 7.920 x 1.875 x 7.25", 1.65 lbs. packed

Safety Approvals

UL/cUL Listed

Hazardous Locations: Class I; Div 2; A, B, C, D

Open board units: UL Recognized

Shock and Vibration Immunity (in enclosure)

Mechanical Shock: 50g (3ms), 30g (11ms)

Random Vibration: 5g, (5-500Hz)

Ordering Information

◆ EtherStax I/O Units

[ES2152-0000](#)

Current/voltage inputs, voltage outputs,
two Cu ports, IP20 enclosure

[ES2152-0010](#)

Current/voltage inputs, voltage outputs,
two Cu ports, open board (no IP20 enclosure)

[ES2152-1000](#)

Current/voltage inputs, voltage outputs,
Cu & fiber ports, IP20 enclosure

[ES2152-1010](#)

Current/voltage inputs, voltage outputs,
Cu & fiber ports, open board (no IP20 enclosure)

◆ Accessories

[microBlox® uB Modules and Backpanels](#)

See Page 32.

[Industrial Ethernet Switches](#)

See Page 33.

[Hardware Accessories and Power Supplies](#)

See Page 34.

[Software Support](#)

See Page 36.