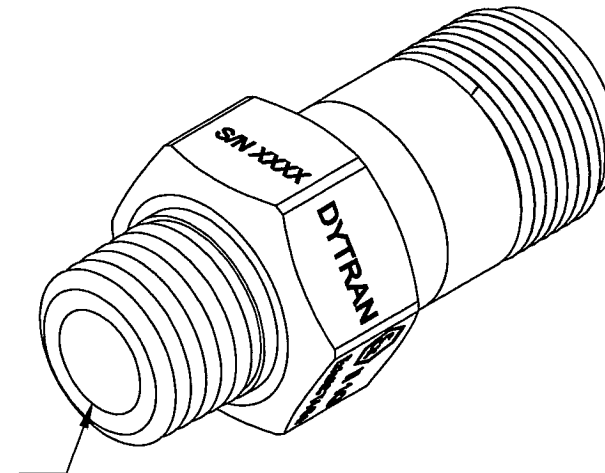
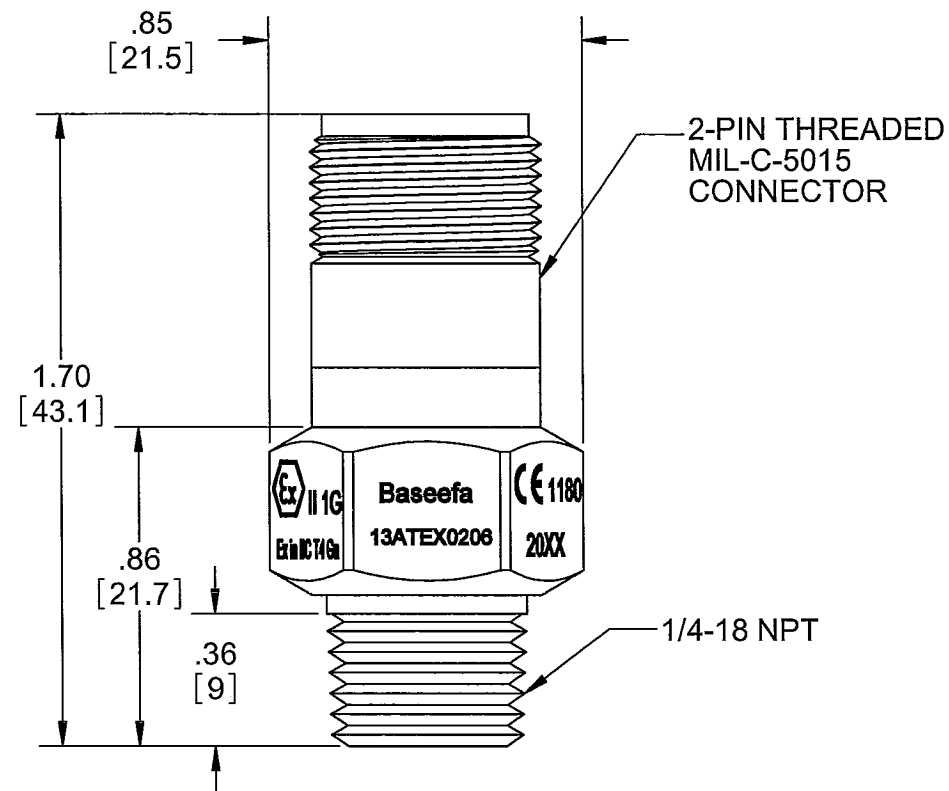
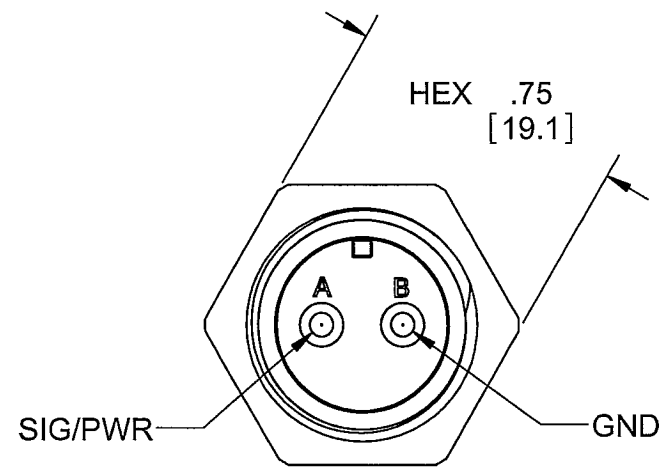


**PROPRIETARY AND CONFIDENTIAL**

THE INFORMATION CONTAINED IN THIS DRAWING IS THE SOLE PROPERTY OF DYTRAN INSTRUMENTS INC. ANY REPRODUCTION IN PART OR AS A WHOLE WITHOUT THE WRITTEN PERMISSION OF DYTRAN INSTRUMENTS INC. IS PROHIBITED

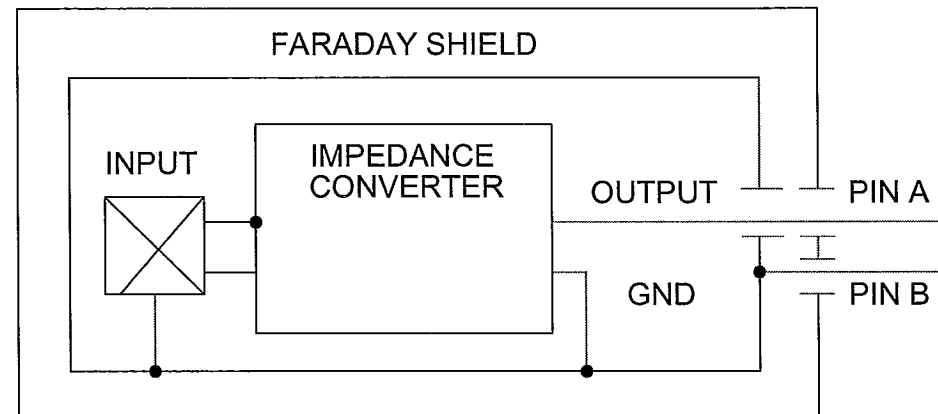
**REVISIONS**

REV.	ECN	DESCRIPTION	BY/DATE	CHK	APPR
A	5698	INITIAL RELEASE	01/26/09	ANS	DV
B	5351	UPDATED FORMAT	RA, 07/28/10	EP	DV
C	10439	ADDED SCHEMATIC, NOTES 3 & 4, CONFIGURATION CONTROL STAMP, AND ATEX MARKING	AB 10/02/13		



SENSING DIAPHRAGM  
φ .31  
[φ 7.9]

MODEL	SENSITIVITY
2006V1	10mV/PSI
2006V2	50mV/PSI
2006V3	100mV/PSI



**SCHMATIC DIAGRAM**

**NO CHANGES ALLOWED**  
WITHOUT CONSENT OF  
CONFIGURATION CONTROL BOARD  
DYTRAN INSTRUMENTS, INC.

ENG QA

4. TOTAL SENSOR CAPACITANCE, Ci (PIEZO ELEMENT PLUS CIRCUIT CAPACITORS): 18 pF MAXIMUM. SENSOR CONTAINS NO INDUCTIVE COMPONENTS.

3. IMPEDANCE CONVERTER HAS NO VOLTAGE ENHANCING/GENERATING PARTS.

2. MATERIAL: HOUSING/DIAPHRAGM - 316L  
CONNECTOR - 304L

1. CASE TO GROUND PIN ISOLATION >100MΩ

NOTES: UNLESS OTHERWISE SPECIFIED

<small>UNLESS OTHERWISE SPECIFIED: INTERPRET DIM &amp; TOL PER ASME Y14.5M - 1994. REMOVE BURRS. COUNTERSINK INTERNAL THDS 90° TO MAJOR DIA. CHAM EXT THDS 45° TO MINOR DIA. THD LENGTHS AND DEPTHS ARE FOR MIN FULL THDS. DIMENSIONS APPLY AFTER FINISHING.</small>	<small>UNLESS OTHERWISE SPECIFIED: DIMENSIONS ARE IN INCHES. TOLERANCES ARE:</small>				<p><b>MASTER ONLY IF IN RED</b></p> <p><b>OUTLINE/INSTALLATION DRAWING, 2006V</b></p>										
	<small>DECIMALS .XX ±.01 .XXX ±.005</small>	<small>ANGLES ±1°</small>	<small>APPROVALS</small>	<small>DATE</small>		<small>Chatsworth, CA</small>									
	<table border="1"> <tr> <td>ORIG</td> <td>DV</td> <td>04/28/08</td> </tr> <tr> <td>CHK</td> <td>ANS</td> <td>01/27/09</td> </tr> <tr> <td>APP</td> <td>DV</td> <td>01/27/09</td> </tr> </table>	ORIG	DV	04/28/08		CHK	ANS	01/27/09	APP	DV	01/27/09	<small>DO NOT SCALE DRAWING</small>		<small>THIRD ANGLE PROJECTION</small>	<small>SIZE</small> <b>B</b>
	ORIG	DV	04/28/08												
CHK	ANS	01/27/09													
APP	DV	01/27/09													
<small>ALL MACHINED SURFACES. TOTAL RUNOUT WITHIN .005. BREAK SHARP EDGES .005 TO .010. MACHINED FILLET RADII .005 TO .015. WELDING SYMBOLS PER AWS A2.4. ABBREVIATIONS PER MIL-STD-12.</small>		<small>DO NOT SCALE DRAWING</small>		<small>CAGE CODE</small> <b>2W033</b>	<small>DWG NO</small> <b>127-2006V</b>	<small>REV</small> <b>C</b>									

**MODEL NUMBER**  
**2006V3**

**PERFORMANCE SPECIFICATION**

**DOC NO.**  
**PS2006V3**

**DYNAMIC PRESSURE SENSOR, IEPE**

REV G, ECN 15538, 01/16/2020



- **HIGH SENSITIVITY**
- **ACCELERATION COMPENSATION**
- **ELECTRICALLY ISOLATED HOUSING**

**PHYSICAL**

	ENGLISH		SI
Weight, Max	2.3	oz	65
Mounting Provision	1/4-18 MNPT		1/4-18 MNPT
Connector	MIL-C-5015, 2 PIN		MIL-C-5015, 2 PIN
Diaphragm Material	316L		316L

**PERFORMANCE**

Sensitivity +/- 10%	100	mV/psi	1.45E-02
Range F.S for +/- 5 volts peak out	+/-50	psi	344738
Maximum Pressure	8000	psi	5.5 X 10 <sup>5</sup>
Equivalent Electrical Noise (Resolution)	0.0007	psi	4.82
Mounted Resonant Frequency	>50000	Hz	>50000
Frequency Response, +/- 10%	2 to 5000	Hz	2 to 5000
Minimum Rise Time of Input Pulse	2	µsec	2
Discharge Time Constant	0.17 to 2.0	sec	0.17 to 2.0
Linearity [1]	+/-1	Hz	+/-1
Lower -3db Frequency	1	Hz	1
Acceleration Sensitivity, Axial Direction	0.002	psi/g	0.014

**ENVIRONMENTAL**

Maximum Vibration	3000	g rms	3000
Maximum Shock	10000	g pk	10000
Temperature Range	-40 to +250	°F	-40 to +121
Thermal Coefficient Of Sensitivity	0.03	% / °F	0.02
Environmental Seal	Hermetic		Hermetic
Power/Sig Ground Isolation, Min	100	MΩ	100

**ELECTRICAL**

Excitation Voltage Range	18 to 30	VDC	18 to 30
Excitation Current Range [2]	2 to 20	mA	2 to 20
Output Impedance NOM	100	Ω	100
Output Bias Voltage, NOM.	7.5 to 9.5	VDC	7.5 to 9.5
Output Signal Polarity	Positive		Positive

**This family also includes:**

Model	Sensitivity (mV/psi)	Range (psi pk)	Resolution (Grms)	Oper. Temp(°F)	TC (Sec)
2006V1	10	500	0.007	-40 to +250	0.17 to 2.0
2006V2	50	100	0.0014	-40 to +250	0.17 to 2.0

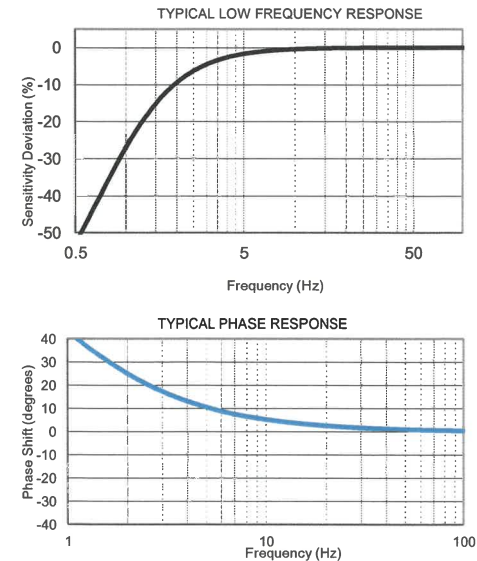
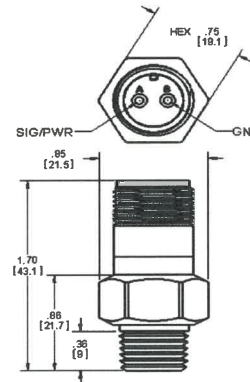
Please, refer to the performance specifications of the products in this family for detailed description.

**Notes:**

- [1] Percent full scale, zero based fit straight line method.
  - [2] From constant current type power unit only. This sensor **MUST NOT BE CONNECTED** to a DC power source without current limiting, 20mA Maximum.
  - [3] A calibration certificate traceable to NIST is supplied with each instrument.
  - [4] In the interest of constant product improvement, we reserve the right to change the specification without notice
- It is the customer's responsibility to validate that a particular product with the properties described in the product specification is suitable for use in a particular application. Parameters provided in datasheets and / or specifications may vary in different applications and performance may vary overtime. All operating parameters, including typical parameters, must be validated for each customer application by the customer's technical experts.

**CERTIFICATIONS:**

ATEX Ex II 1G Ex ia IIC T4 Ga (marked on each microphone)  
 Baseefa13ATEX0206(marked on each microphone)  
 CE certified (marked on each microphone) **CE**



Units on the line drawing are in inches, units in brackets are in millimeters. Refer to 127-2006V for more information.



21592 Marilla Street, Chatsworth, California 91311 Phone: 818.700.7818 Fax:818.700.7880 www.dytran.com For permission to reprint this content, please contact info@dytran.com

**NO CHANGES ALLOWED**  
 WITHOUT CONSENT OF  
 CONFIGURATION CONTROL BOARD  
 DYTRAN INSTRUMENTS, INC.  
 CM *Ep* QA *11g*