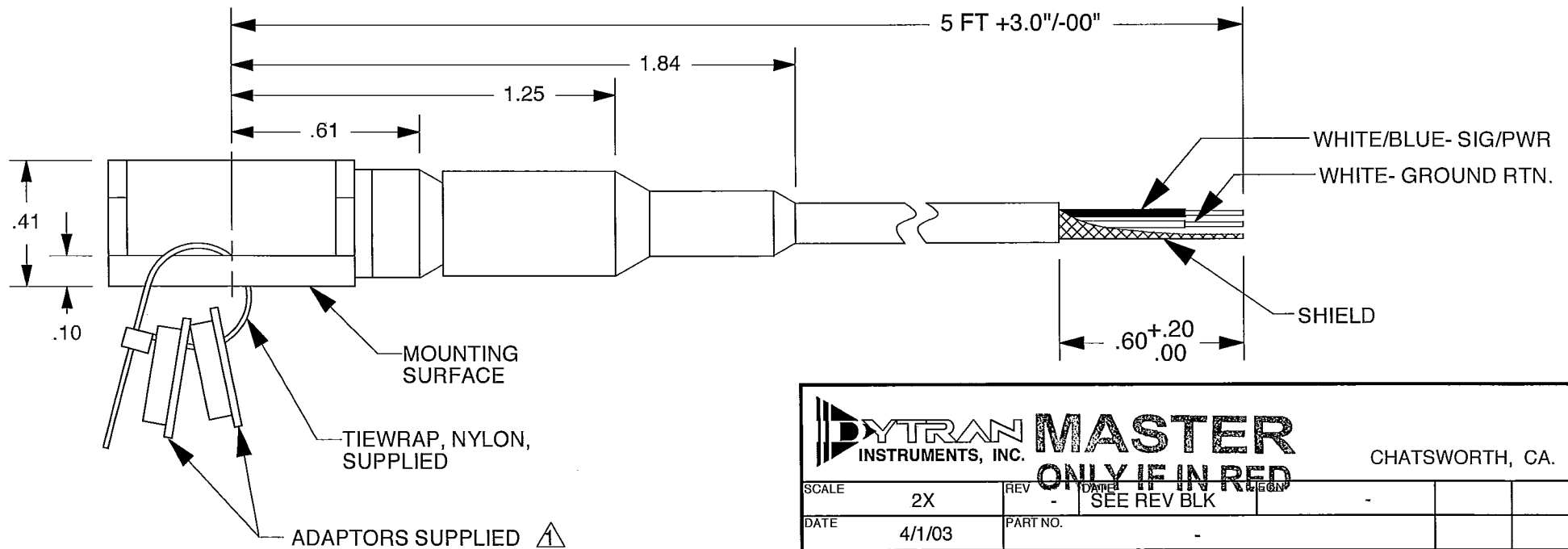
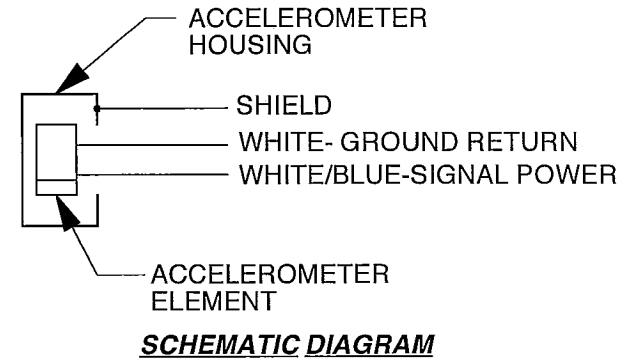
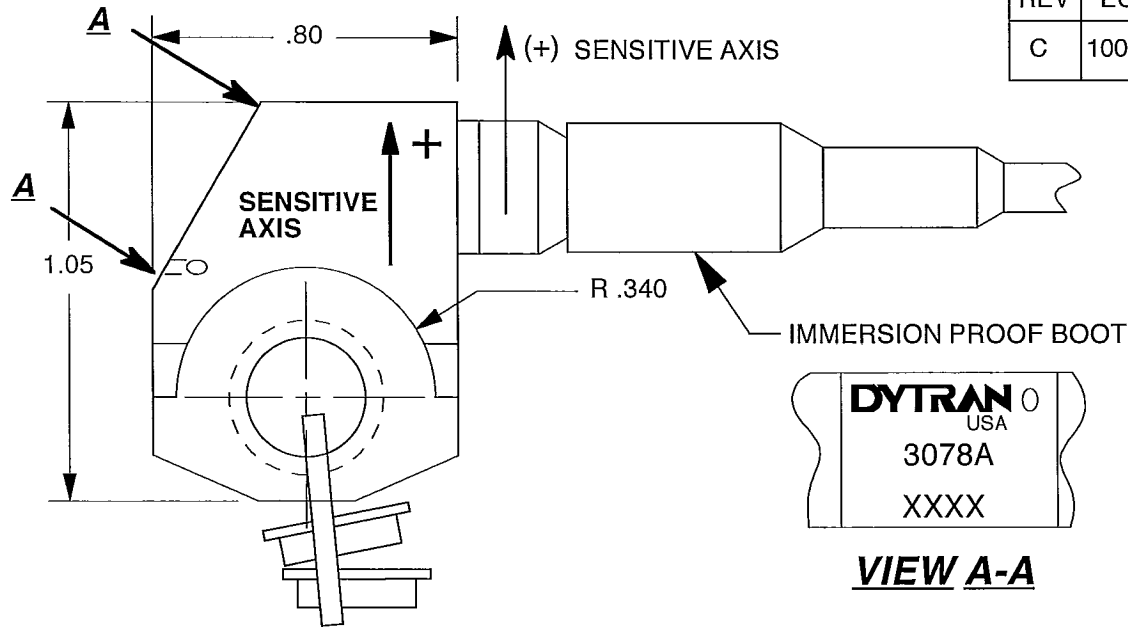


| REV | ECN | DESCRIPTION | BY/DATE | CHK | APPR |
|-----|-------|--------------------------------|--------------|-----|------|
| C | 10070 | ADDED VIEW A-A, SENSITIVE AXIS | RLA 06/20/13 | MH | |



ADAPTER BUSHINGS SUPPLIED: (1) 6555A (Ø.250, THRU HOLE)
(1) 6555A1 (Ø.188, THRU HOLE)

| | | | | | |
|--|--|-------------------|--|--------------------------|--|
| | | MASTER | | CHATSORTH, CA. | |
| SCALE 2X | | REV - SEE REV BLK | | | |
| DATE 4/1/03 | | PART NO. - | | | |
| DRAWN N.C. | | CHECKED R.A. | | MATERIAL - | |
| APPROVED PML 4/7/05 | | NEXT ASSEMBLY | | USED ON 3078A | |
| TITLE OUTLINE INSTALLATION DRAWING, MODEL 3078A | | | | DWG NO. 127-3078A | |
| | | | | SHEET 1 OF 1 | |

| | | |
|------------------------------|-----------------------------------|----------------------------|
| Model Number 3078A | PERFORMANCE SPECIFICATIONS | DOC NO PS3078A |
| IEPE ACCELEROMETER | | REV B, ECN 14420, 09/06/18 |



- EXCELLENT LINEARITY
- ELECTRICALLY ISOLATED
- HERMETICALLY SEALED
- IMMERSION PROOF BOOT

| ENGLISH | SI |
|---------|----|
|---------|----|

PHYSICAL

| | | | | |
|----------------------------------|-------------------------------|----|-------------------------------|-------|
| Weight, Max, less cable | 0.7 | oz | 20 | grams |
| Integral Cable, Radially Mounted | 2-wire, Pigtail End | | 2-wire, Pigtail End | |
| Length | 5 | ft | 1524 | mm |
| Mounting Provision | Ø.312 Thru hole with Bushings | in | Ø7.93 Thru hole with Bushings | mm |
| Material, Housing/Connector | 300 Series S.S | | 300 Series S.S | |
| Sensing Element | Quartz | | Quartz | |
| Cable Jacket Material | Tefzel | | Tefzel | |

PERFORMANCE

| | | | | |
|--------------------------------|-------------|--------|-------------|----------------------|
| Sensitivity, ±5% [1] | 10 | mV/g | 1.0 | mV/m/s ² |
| Range for ± 5 Volts Output | ±500 | g | ±4905 | m/s ² |
| Frequency Response, ± 10% | 1.1 to 5000 | Hz | 1.1 to 5000 | Hz |
| Resonant Frequency | > 26 | kHz | > 26 | kHz |
| Broad Band Resolution [4] | 0.007 | Grms | 0.07 | m/s ² rms |
| Linearity [2] | ± 1 | % F.S. | ± 1 | % F.S. |
| Maximum Transverse sensitivity | 5 | % | 5 | % |
| Strain Sensitivity @ 250µε | 0.012 | g/µε | 0.12 | m/s ² /µε |

ENVIRONMENTAL

| | | | | |
|-------------------|-------------|-------------------|-------------|-----------------------|
| Maximum Vibration | ±600 | G _{peak} | ±5886 | m/s ² peak |
| Maximum Shock | ±3000 | G _{peak} | ±29430 | m/s ² peak |
| Temperature Range | -60 to +250 | °F | -51 to +121 | °C |
| Seal | Hermetic | | Hermetic | |

ELECTRICAL

| | | | | |
|--------------------------|------------|---------|------------|---------|
| Supply Current Range [3] | 2 to 20 | mA | 2 to 20 | mA |
| Compliance Voltage Range | +18 to +30 | Volts | +18 to +30 | Volts |
| Output Impedance, Typ | 100 | Ω | 100 | Ω |
| Bias Voltage | 7 to 9 | VDC | 7 to 9 | VDC |
| Discharge Time Constant | 0.3 to 2.0 | Sec | 0.3 to 2.0 | Sec |
| Electrical Isolation | 10 | GΩ, min | 10 | GΩ, min |

This family also includes:

| Model | Sensitivity (mV/g) | Frequency Response (Hz) | Time Constant (Sec) | Operating Temp (°F) |
|-------|--------------------|-------------------------|---------------------|---------------------|
| | | | | |
| | | | | |

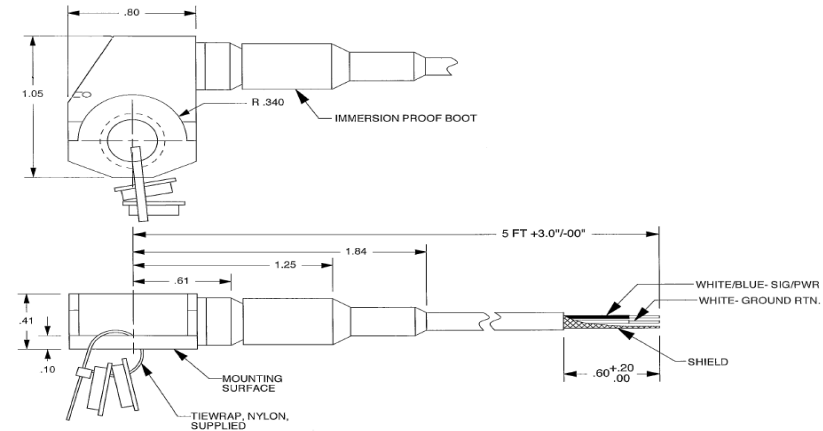
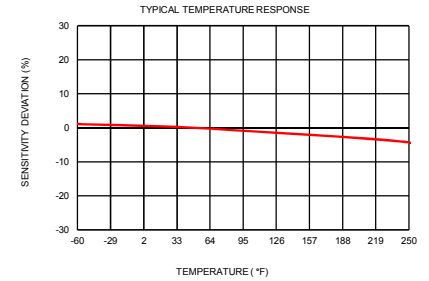
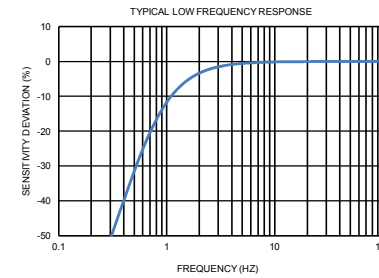
Refer to the performance specifications of the products in this family for detailed description

Supplied Accessories:

- 1) Accredited calibration certificate (ISO 17025)
- 2) Adaptor bushing (Ø .250 thru hole), model # 6555A, Qty. 1
- 3) Adaptor bushing (Ø .188 thru hole), model # 6555A1, Qty. 1

Notes:

- [1] Measured at 100Hz, 1 Grms per ISA RP 37.2.
- [2] Measured using zero-based straight line method, % of F.S. or any lesser range.
- [3] Do not apply power to this system without current limiting, 20 mA MAX. To do so will destroy the IC charge amplifier.
- [4] Typical. Not to exceed .010 Grms [10 m/s²].



Units on the line drawing are in inches, units in brackets are in millimeters. Refer to 127-3078A for more information.



21592 Marilla Street, Chatsworth, California 91311 Phone: 818.700.7818 Fax: 818.700.7880 www.dytran.com
For permission to reprint this content, please contact info@dytran.com