

PROPRIETARY AND CONFIDENTIAL

THE INFORMATION CONTAINED IN THIS DRAWING IS THE SOLE PROPERTY OF DYTRAN INSTRUMENTS INC. ANY REPRODUCTION IN PART OR AS A WHOLE WITHOUT THE WRITTEN PERMISSION OF DYTRAN INSTRUMENTS INC. IS PROHIBITED

REVISIONS

REV.	ECN	DESCRIPTION	BY/DATE	CHK	APPR
A	13869	INITIAL RELEASE. SAME AS REV X5.	KG 11/29/17	LN	DV
B	14088	UPDATED REGISTERED TRADEMARK	DP 03/12/18	MH	LN
C	14112	MOUNTING SCREW: IS: 10-32 X 1.25 WAS: 8-32 X 1.25	AM 3/22/18	DP	DV
D	14912	UPDATED ISOMETRIC VIEW TO SHOW SENSITIVITY ARROW	DA, 02/21/19	KG	LN

D

D

C

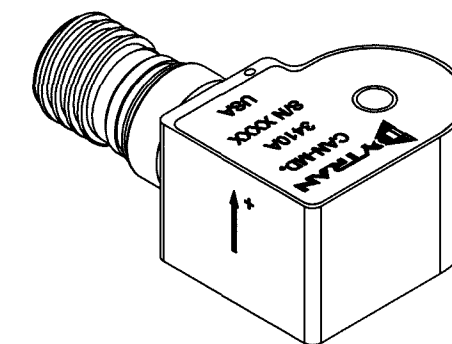
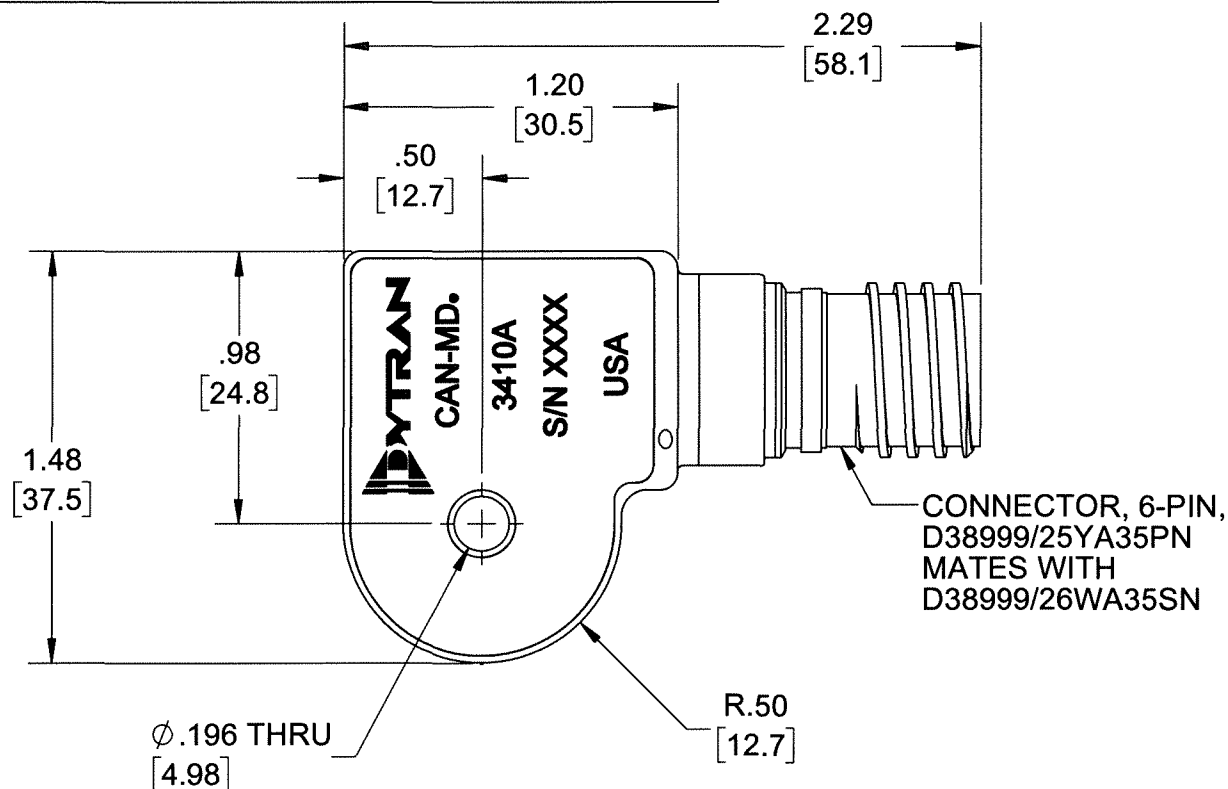
C

B

B

A

A



PIN 6
BOOT RESET

PIN 5
GATE

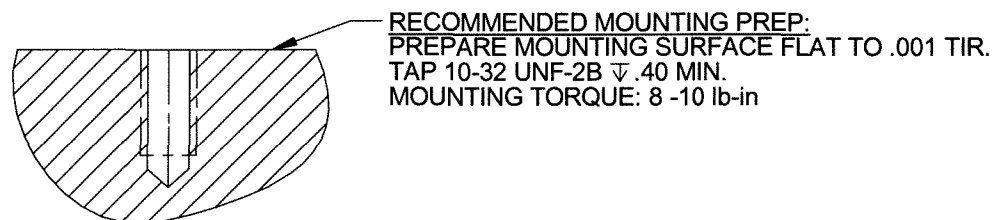
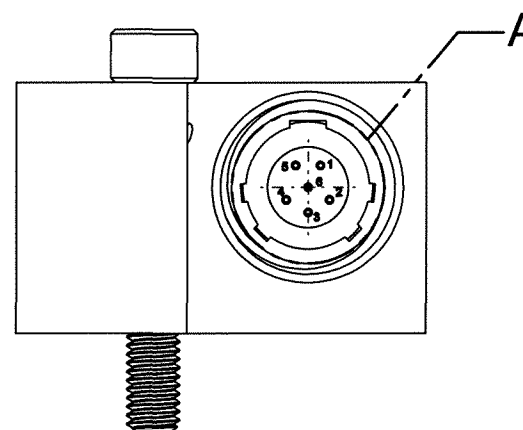
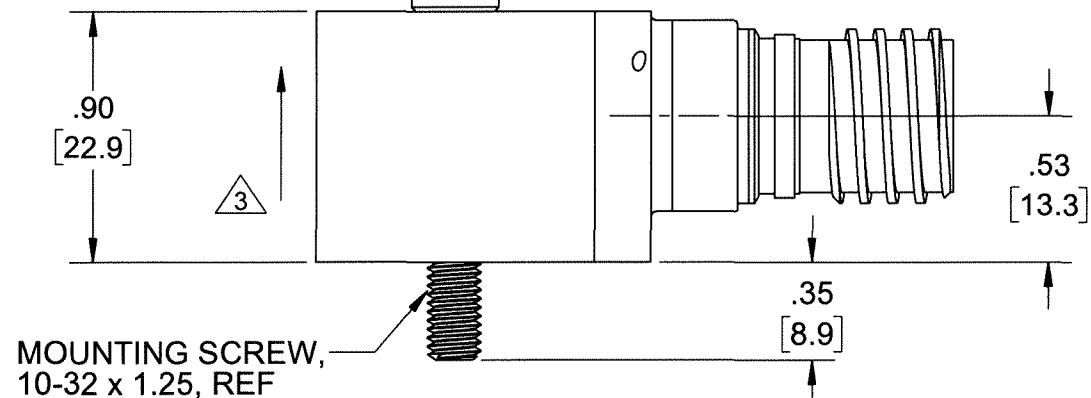
PIN 1
CAN HIGH

PIN 4
GND RET

PIN 2
CAN LOW

PIN 3
POWER

DETAIL A
SCALE 4:1



3 ARROW INDICATES DIRECTION OF ACCELERATION FOR POSITIVE OUTPUT

2. MATERIAL, CASE & CONNECTOR: 300 SERIES S.S.

1. WEIGHT: 125 GRAMS, MAX.

NOTES: UNLESS OTHERWISE SPECIFIED

UNLESS OTHERWISE SPECIFIED:
INTERPRET DIM & TOL PER
ASME Y14.5M - 1994.
REMOVE BURRS.
COUNTERSINK INTERNAL THDS
90° TO MAJOR DIA.
CHAM EXT THDS 45° TO MINOR DIA.
THD LENGTHS AND DEPTHS ARE FOR
MIN FULL THDS.
DIMENSIONS APPLY AFTER FINISHING.

ALL MACHINED SURFACES.
TOTAL RUNOUT WITHIN .005.
BREAK SHARP EDGES .005 TO .010.
MACHINED FILLET RADII .005 TO .015.
WELDING SYMBOLS PER AWS A2.4.
ABBREVIATIONS PER MIL-STD-12.

UNLESS OTHERWISE SPECIFIED:
DIMENSIONS ARE IN INCHES
DIMENSIONS IN BRACKETS [] ARE IN
MILLIMETERS TOLERANCES ARE:

DECIMALS	METRIC	ANGLES
.XX ± .03	X ± 0.8	± 1°
.XXX ± 0.10	.XX ± 0.25	

APPROVALS		DATE
ORIG	LN	08/04/15
CHK	LN	11/29/17
APP	DV	12/08/17
DO NOT SCALE DRAWING		THIRD ANGLE PROJECTION USA

DYTRAN
INSTRUMENTS, INC. Chatsworth, CA

MASTER
ONLY IF IN RED

TITLE:
**OUTLINE/INSTALLATION DWG,
MODEL 3410A**

SIZE B	CAGE CODE 2W033	DWG NO 127-3410A	REV D
------------------	---------------------------	----------------------------	-----------------

SCALE: 3:2 SHEET 1 OF 1

Model Number 3410A	PERFORMANCE SPECIFICATION	DOC NO PS3410A
	SINGLE AXIS ACCELEROMETER, CAN OUTPUT	REV C, ECN 14512, 09/18/18



- HIGH FREQUENCY PERFORMANCE
- ELECTRICALLY ISOLATED
- EXCELLENT LINEARITY
- HERMETICALLY SEALED
- CAN OUTPUT

PHYSICAL

Weight, Max.
Mounting provision
Connector
Housing Material

ENGLISH		SI	
4.4	oz	125	grams
10-32 UNF-2A		10-32 UNF-2A	
D38999/25YA35PN		D38999/25YA35PN	
300 Series S.S.		300 Series S.S.	

PERFORMANCE (SYSTEM)

Input range
Maximum bandwidth
Available sampling rates
Resonant Frequency
Equivalent Electrical Noise Floor
Linearity [1]
Maximum Transverse Sensitivity
Strain Sensitivity @ 250 µε
Available Vibration Analysis:

Asynchronous

ENGLISH		SI	
±500	g	±4905	m/s ²
1 to 15,500	Hz	1 to 15500	Hz
1.625 / 3.25 / 6.5 / 13 / 26 / 52	kHz	1.625 / 3.25 / 6.5 / 13 / 26 / 52	kHz
>40	kHz	>40	kHz
0.015	Grms	0.147	m/s ² rms
± 2%	% F.S.	± 2%	% F.S.
5	%	5	%
0.010	g/µε	0.10	m/s ² /µε
Time Data RMS		Time Data RMS	
Time Data Skew		Time Data Skew	
Absolute/Relative Spectral Peak		Absolute/Relative Spectral Peak	
Absolute/Relative Spectral Energy		Absolute/Relative Spectral Energy	
Raw Vibration Data		Raw Vibration Data	
Raw Spectral Data		Raw Spectral Data	

Synchronous

TSA Waveform	TSA Waveform
Order Domain Data	Order Domain Data
Order Domain Amplitude	Order Domain Amplitude
Order Domain Phase	Order Domain Phase

ENVIRONMENTAL

Maximum Vibration
Maximum Shock
Temperature Range
Seal

±600	g's, peak	±5886	m/s ² peak
±2000	g's, peak	±19620	m/s ² peak
-40 to 250	°F	-40 to 121	°C
Hermetic		Hermetic	

Electrical

Power Consumption
Compliance Voltage Range
Electrical Isolation, Ground Wire to Case

<0.4	W	<0.4	W
10 to 32	Volts	10 to 32	Volts
10	MΩ, min	10	MΩ, min

This family also includes:

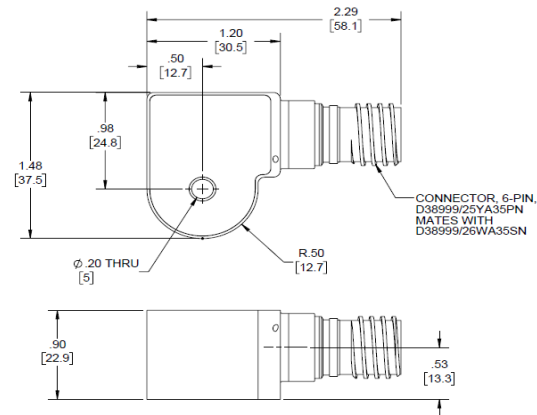
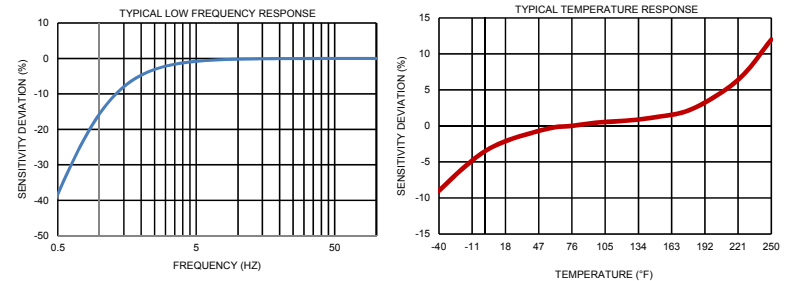
Refer to the performance specifications of the products in this family for detailed description

Supplied Accessories:

- 1) Accredited calibration certificate (ISO 17025)
- 3) Mounting screw, 10-32 x 1.25, Model 6543A4

Notes:

- [1] Measured using zero-based straight line method, % of F.S. or any lesser range.
- [2] Do not apply power to this system without current limiting, 65 mA MAX.
- [3] In the interest of constant product improvement, we reserve the right to change specifications without notice



Units on the line drawing are in inches, units in brackets are in millimeters. Refer to 127-3409A for more information.



21592 Marilla Street, Chatsworth, California 91311 Phone: 818.700.7818 Fax: 818.700.7880 www.dytran.com
For permission to reprint this content, please contact info@dytran.com

