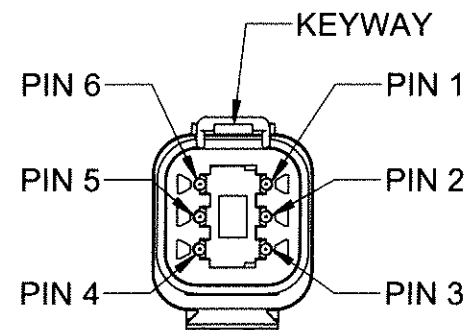


PROPRIETARY AND CONFIDENTIAL

THE INFORMATION CONTAINED IN THIS DRAWING IS THE SOLE PROPERTY OF DYTRAN INSTRUMENTS INC. ANY REPRODUCTION IN PART OR AS A WHOLE WITHOUT THE WRITTEN PERMISSION OF DYTRAN INSTRUMENTS INC. IS PROHIBITED

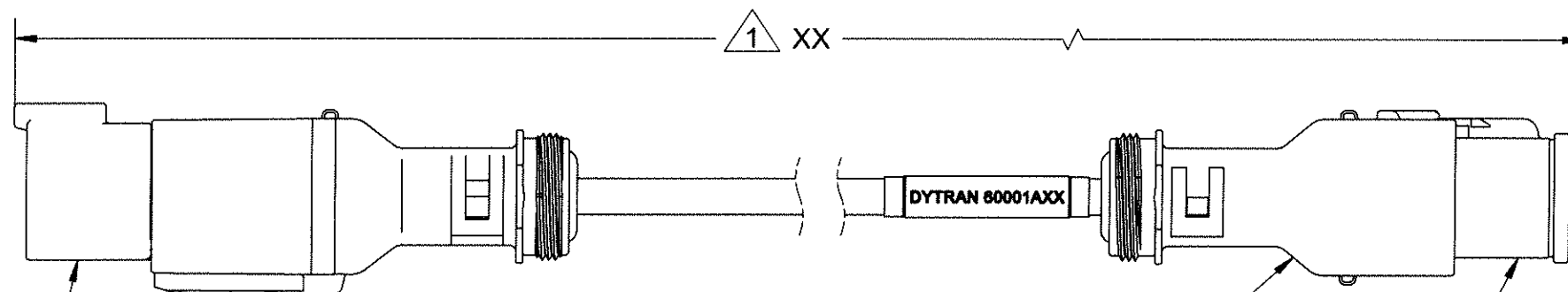
REVISIONS

REV.	ECN	DESCRIPTION	BY/DATE	CHK	APPR
A	14490	INITIAL RELEASE. ADDED GROMMETS ON BOTH CONNECTORS. ADDED CABLE SPECIFICATION TABLE. ADDED NOTES 4 & 5. CABLE MARKING: IS: "DYTRAN 60001AXX"; WAS: "60001AXX".	KG 09/13/18	AM	<i>[Signature]</i>



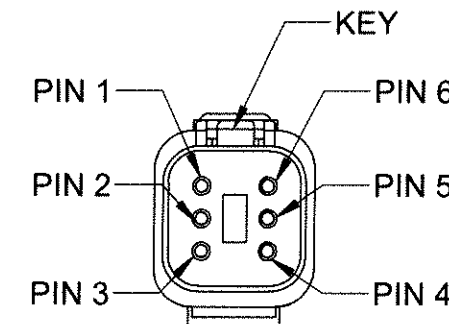
2 RECEPTACLE, 6-PIN, DEUTSCH P/N: DT04-6P

1011-269-0605 BACKSHELL W/ STRAIN RELIEF



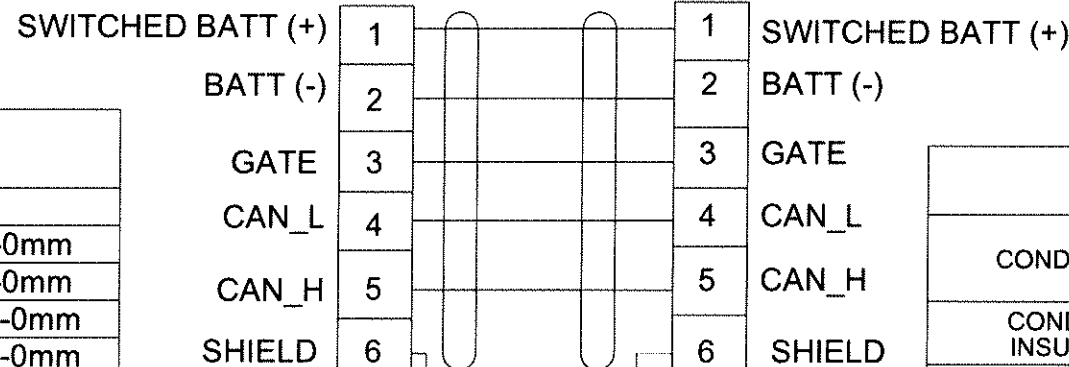
1011-267-0605 BACKSHELL W/ STRAIN RELIEF,

3 PLUG, 6-PIN, DEUTSCH P/N: DT06-6S



1 CABLE LENGTH TOLERANCE

ENGLISH		[METRIC]	
≤1FT	+1/-0 IN	≤0.3m	+25mm -0mm
>1 FT - 5 FT	+2/-0 IN	.0.3 m-1.5m	+50mm -0mm
> 5 FT - 10 FT	+4/-0 IN	>1.5m-3m	+100mm -0mm
>10 FT - 25FT	+6/-0 IN	>3m-7.5m	+150mm -0mm
>25 FT	+5%/-0%	>7.5m	+5%/-0%



SCHMATIC DIAGRAM

4 CABLE, 5-CONDUCTORS, SHIELDED

CONDUCTORS	2X 22AWG, 66/40 SILVER PLATED COPPER (RED & BLACK) 3X 24AWG, 41/40 SILVER PLATED COPPER (ORANGE, BROWN & BLUE)
CONDUCTOR INSULATION	EXTRUDED FEP, .050" [1.27mm] NOM.
BINDER	KEVLAR BINDER
SHIELD	38AWG TIN PLATED COPPER, 90% NOM. COVERAGE
JACKET TYPE	EXTRUDED POLYURETHANE, COLOR: ORANGE DULL
JACKET THICKNESS	.025" [0.64mm] NOM.
OVERALL DIAMETER	.250" [6.35mm] MAX.

5. OPERATING TEMPERATURE: -40°C (-40°F) TO +90°C (+194°F)

4 SEE TABLE FOR CABLE SPECIFICATIONS.

3 MATES WITH DEUTSCH P/N: DT04-6P

2 MATES WITH DEUTSCH P/N: DT06-6S

1 MODEL NUMBER: 60001AXX. "XX" DENOTES LENGTH IN FEET.

NOTES: UNLESS OTHERWISE SPECIFIED

UNLESS OTHERWISE SPECIFIED: INTERPRET DIM & TOL PER ASME Y14.5M - 1994. REMOVE BURRS. COUNTERSINK INTERNAL THDS 90° TO MAJOR DIA. CHAM EXT THDS 45° TO MINOR DIA. THD LENGTHS AND DEPTHS ARE FOR MIN FULL THDS. DIMENSIONS APPLY AFTER FINISHING.

ALL MACHINED SURFACES. TOTAL RUNOUT WITHIN .005. BREAK SHARP EDGES .005 TO .010. MACHINED FILLET RADII .005 TO .015. WELDING SYMBOLS PER AWS A2.4. ABBREVIATIONS PER MIL-STD-12.

UNLESS OTHERWISE SPECIFIED: DIMENSIONS ARE IN INCHES. DIMENSIONS IN BRACKETS [ ] ARE IN MILLIMETERS. TOLERANCES ARE: DECIMALS .XX ±.03, .XXX ±.010; METRIC X ±0.8, .XX ±0.25; ANGLES ±1°

APPROVALS		DATE
ORIG	LN	03/25/16
CHK	AM	09/23/18
APP	<i>[Signature]</i>	10/11/18

DYTRAN INSTRUMENTS, INC. MASTER COPY CHATSWORTH, CA

TITLE: OUTLINE/INSTALLATION DWG, DT04-6P TO DT06-6S EXTENSION CABLE, MODEL 60001A			
SIZE B	CAGE CODE 2W033	DWG NO 127-60001A	REV A
SCALE: 1:1	SHEET 1 OF 1		