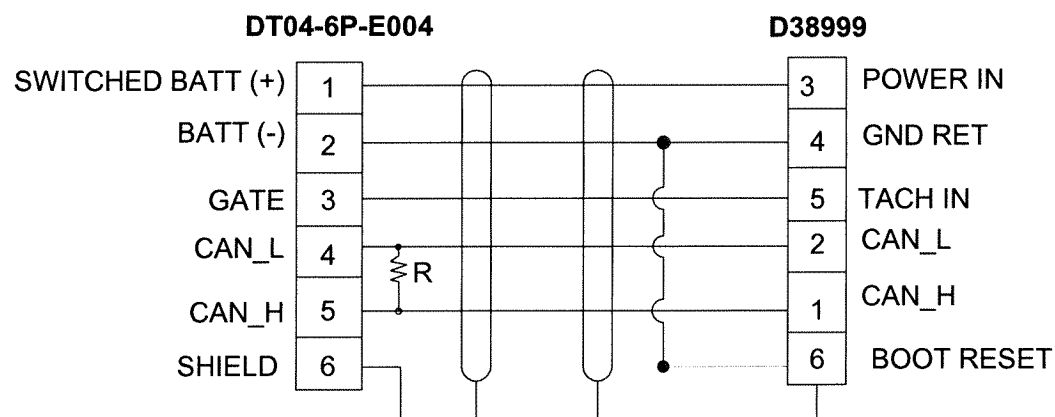
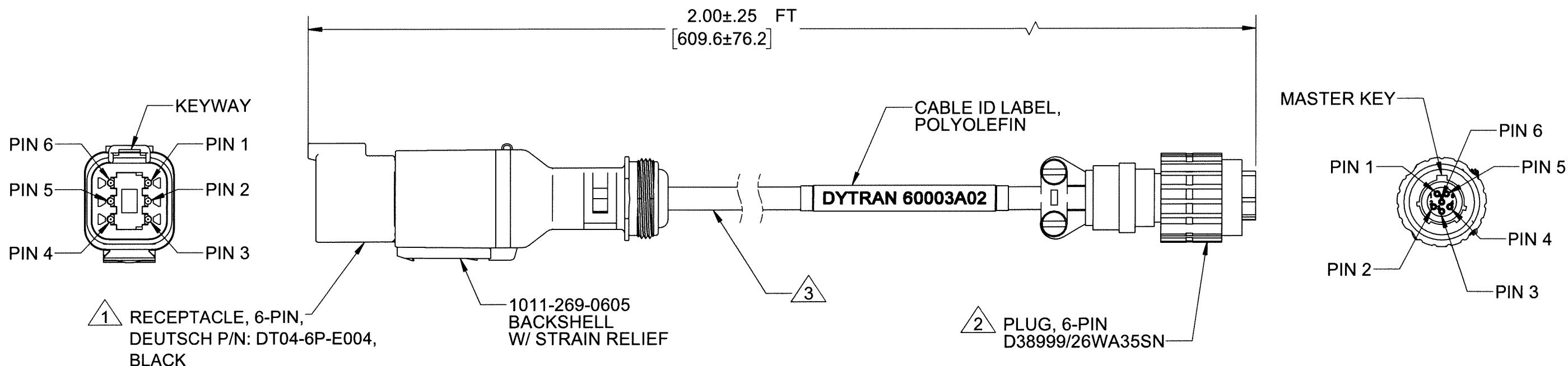


PROPRIETARY AND CONFIDENTIAL

THE INFORMATION CONTAINED IN THIS DRAWING IS THE SOLE PROPERTY OF DYTRAN INSTRUMENTS INC. ANY REPRODUCTION IN PART OR AS A WHOLE WITHOUT THE WRITTEN PERMISSION OF DYTRAN INSTRUMENTS INC. IS PROHIBITED

REVISIONS

REV.	ECN	DESCRIPTION	BY/DATE	CHK	APPR
A	14631	INITIAL RELEASE, SAME AS X1	DP 10/18/18	KG	[Signature]



3 CABLE, 5-CONDUCTOR, SHIELDED	
CONDUCTORS	2X 22AWG, 66/40 SILVER PLATED COPPER (RED & BLACK) 3X 24AWG, 41/40 SILVER PLATED COPPER (ORANGE, BROWN & BLUE)
CONDUCTOR INSULATION	EXTRUDED FEP, .050" [1.27mm] NOM.
BINDER	KEVLAR BINDER
SHIELD	38AWG TIN PLATED COPPER, 90% NOM. COVERAGE
JACKET TYPE	EXTRUDED POLYURETHANE, COLOR: ORANGE DULL
JACKET THICKNESS	.025" [0.64mm] NOM.
OVERALL DIAMETER	.250" [6.35mm] MAX.

3 SEE TABLE FOR CABLE SPECIFICATIONS.

2 MATES WITH DYTRAN MODELS 3409A & 3410A

1 MATES WITH DEUTSCH P/N: DT06-6S

NOTES: UNLESS OTHERWISE SPECIFIED

UNLESS OTHERWISE SPECIFIED:  
 INTERPRET DIM & TOL PER ASME Y14.5M - 1994.  
 REMOVE BURRS.  
 COUNTERSINK INTERNAL THDS 90° TO MAJOR DIA.  
 CHAM EXT THDS 45° TO MINOR DIA.  
 THD LENGTHS AND DEPTHS ARE FOR MIN FULL THDS.  
 DIMENSIONS APPLY AFTER FINISHING.

ALL MACHINED SURFACES. <sup>63</sup>✓  
 TOTAL RUNOUT WITHIN .005.  
 BREAK SHARP EDGES .005 TO .010.  
 MACHINED FILLET RADII .005 TO .015.  
 WELDING SYMBOLS PER AWS A2.4.  
 ABBREVIATIONS PER MIL-STD-12.

DECIMALS		METRIC		ANGLES
.XX ±.03	.X ±0.8	X ±0.8		±1°
.XXX ±.010	.XX ±0.25	.XX ±0.25		

APPROVALS		DATE
ORIG	LN	03/25/16
CHK	KG	10/31/18
APP	[Signature]	11/01/18

DO NOT SCALE DRAWING

**DYTRAN** MASTER INSTRUMENTS, INC. Chatsworth, CA

TITLE: **OUTLINE/INSTALLATION DWG, DT04-6P TO D38999, w/ CAN RESISTOR, MODEL 60003A02**

SIZE <b>B</b>	CAGE CODE <b>2W033</b>	DWG NO <b>127-60003A</b>	REV <b>A</b>
---------------	------------------------	--------------------------	--------------

SCALE: 1:1 SHEET 1 OF 1