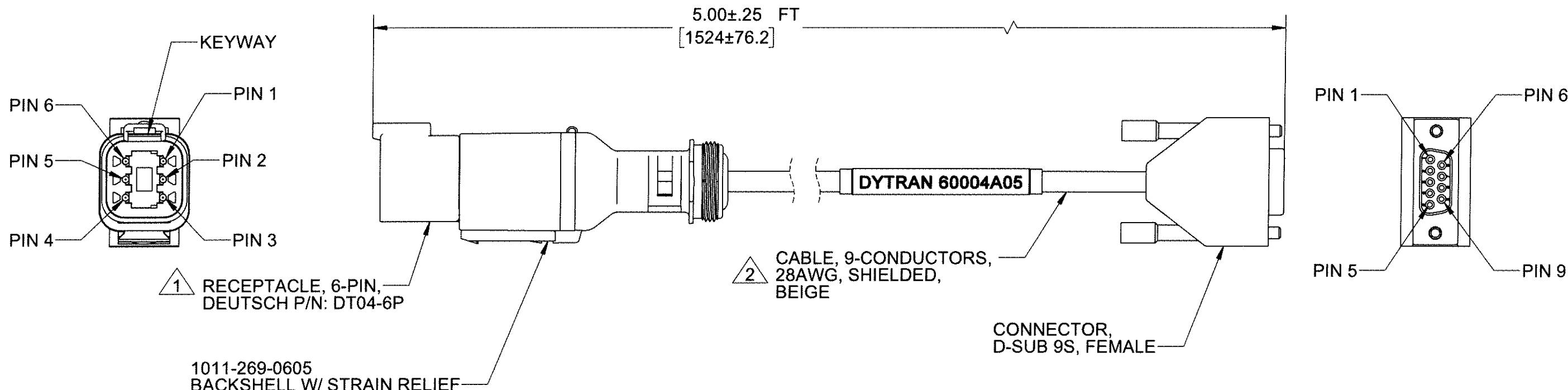


PROPRIETARY AND CONFIDENTIAL

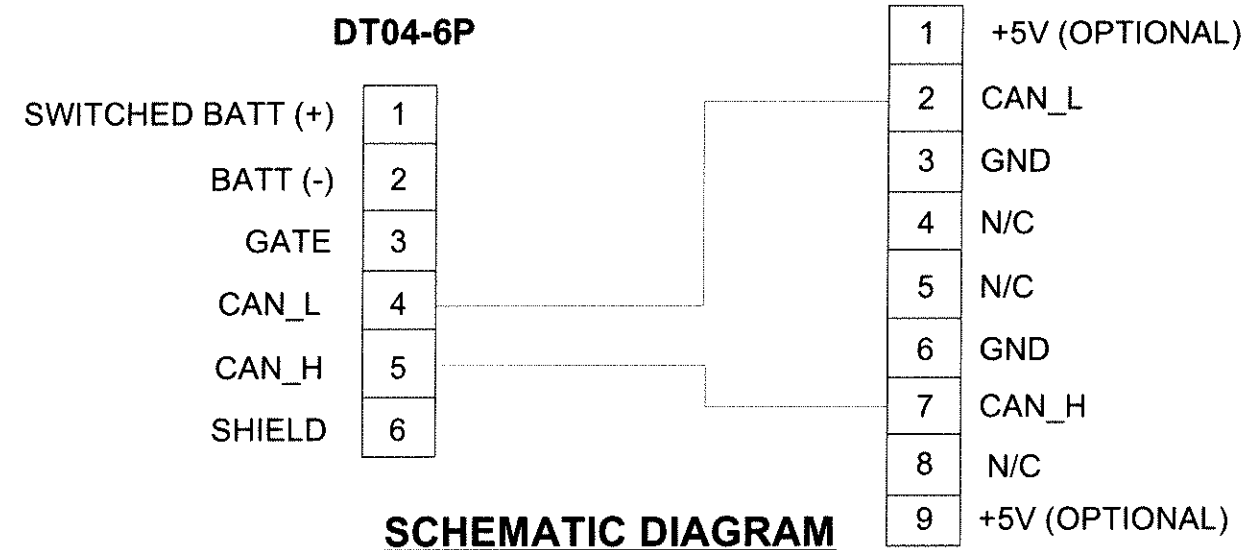
THE INFORMATION CONTAINED IN THIS DRAWING IS THE SOLE PROPERTY OF DYTRAN INSTRUMENTS INC. ANY REPRODUCTION IN PART OR AS A WHOLE WITHOUT THE WRITTEN PERMISSION OF DYTRAN INSTRUMENTS INC. IS PROHIBITED

REVISIONS

REV.	ECN	DESCRIPTION	BY/DATE	CHK	APPR
A	14490	INITIAL RELEASE. CABLE MARKING: IS: "DYTRAN 60004A05"; WAS: "60004A05". ADDED NOTES 2 & 3. ADDED CABLE SPECIFICATIONS TABLE.	KG 09/26/18	AM	W



D-SUB 9S



2 9 CONDUCTOR, SHIELDED CABLE	
CONDUCTORS	28 AWG 7/0.12 TINNED COPPER
WIRE TYPE	SR PVC INSULATION, OD .033"
SHIELD	AL/MYLAR
JACKET	PVC, BEIGE, .04" WALL
DIAMETER	.20" MAX
TEMP	-20°C (-4°F) TO +60°C (+140°F)
VOLTAGE	30 VOLTS

- 3. OPERATING TEMPERATURE: -20°C (-4°F) TO +60°C (+140°F)
  - 2 SEE TABLE FOR CABLE SPECIFICATIONS
  - 1 MATES WITH DEUTSCH P/N: DT06-6S
- NOTES: UNLESS OTHERWISE SPECIFIED

UNLESS OTHERWISE SPECIFIED: INTERPRET DIM & TOL PER ASME Y14.5M - 1994. REMOVE BURRS. COUNTERSINK INTERNAL THDS 90° TO MAJOR DIA. CHAM EXT THDS 45° TO MINOR DIA. THD LENGTHS AND DEPTHS ARE FOR MIN FULL THDS. DIMENSIONS APPLY AFTER FINISHING.

UNLESS OTHERWISE SPECIFIED: DIMENSIONS ARE IN INCHES. DIMENSIONS IN BRACKETS [ ] ARE IN MILLIMETERS. TOLERANCES ARE:

DECIMALS	METRIC	ANGLES
.XX ±.03	X ±0.8	±1°
.XXX ±.010	XX ±0.25	

APPROVALS

ORIG	LN	03/25/16
CHK	AM	10/11/18
APP	W	10/17/18

DATE

DATE: 10/17/18

THIRD ANGLE PROJECTION

ALL MACHINED SURFACES. TOTAL RUNOUT WITHIN .005. BREAK SHARP EDGES .005 TO .010. MACHINED FILLET RADII .005 TO .015. WELDING SYMBOLS PER AWS A2.4. ABBREVIATIONS PER MIL-STD-12.

DO NOT SCALE DRAWING

**DYTRAN INSTRUMENTS, INC.** MASTER COPY Chatsworth, CA

TITLE: **OUTLINE/INSTALLATION DWG, DT04-6P TO P-CAN ADAPTER, MODEL 60004A05**

SIZE	CAGE CODE	DWG NO	REV
B	2W033	127-60004A	A

SCALE: 1:1

SHEET 1 OF 1