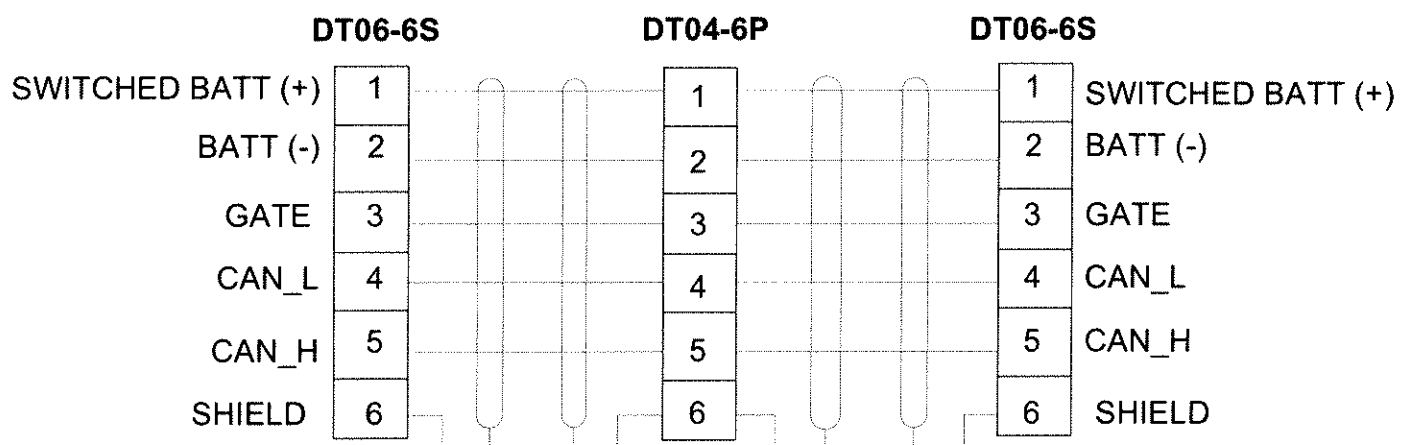
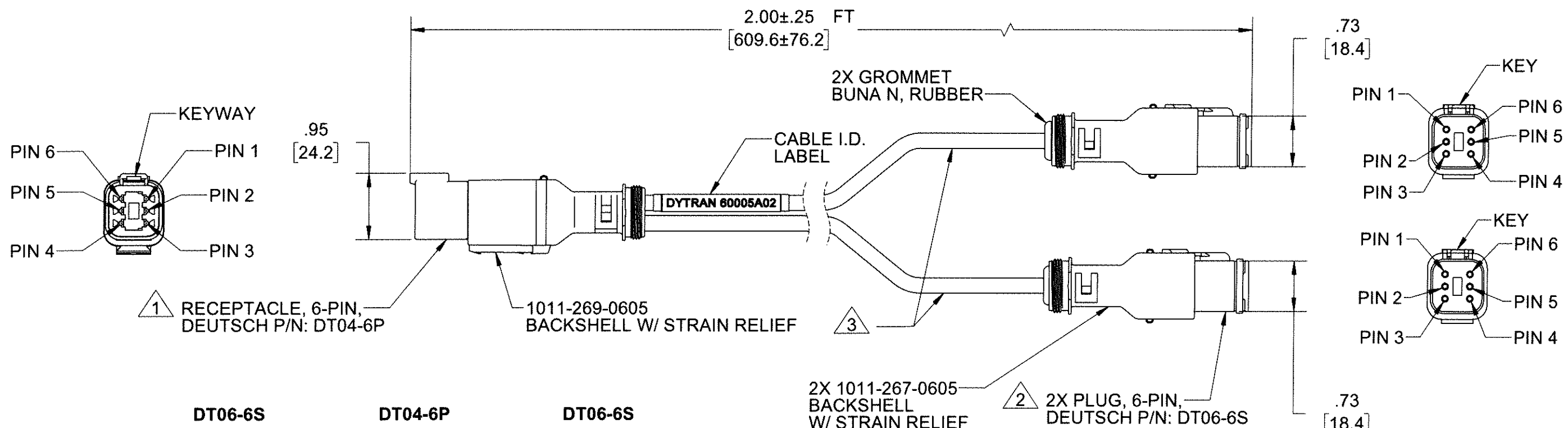


PROPRIETARY AND CONFIDENTIAL

THE INFORMATION CONTAINED IN THIS DRAWING IS THE SOLE PROPERTY OF DYTRAN INSTRUMENTS INC. ANY REPRODUCTION IN PART OR AS A WHOLE WITHOUT THE WRITTEN PERMISSION OF DYTRAN INSTRUMENTS INC. IS PROHIBITED

REVISIONS

REV.	ECN	DESCRIPTION	BY/DATE	CHK	APPR
A	14490	INITIAL RELEASE: ADDED: FLAG NOTE 3 WITH CABLE SPECIFICATION TABLE AND NOTE 4	AM 09/26/18	KG	W



SCHEMATIC

3 CABLE, 5-CONDUCTORS, SHIELDED	
CONDUCTORS	2X 22AWG, 66/40 SILVER PLATED COPPER (RED & BLACK) 3X 24AWG, 41/40 SILVER PLATED COPPER (ORANGE, BROWN & BLUE)
CONDUCTOR INSULATION	EXTRUDED FEP, .050" [1.27mm] NOM.
BINDER	KEVLAR BINDER
SHIELD	38AWG TIN PLATED COPPER, 90% NOM. COVERAGE
JACKET TYPE	EXTRUDED POLYURETHANE, COLOR: ORANGE DULL
JACKET THICKNESS	.025" [0.64mm] NOM.
OVERALL DIAMETER	.250" [6.35mm] MAX.

4. OPERATING TEMPERATURE: -40°F (-40°C) TO 194°F (90°C)

3 SEE TABLE FOR CABLE SPECIFICATIONS.

2 MATES WITH DEUTSCH P/N: DT04-6P

1 MATES WITH DEUTSCH P/N: DT06-6S

NOTES: UNLESS OTHERWISE SPECIFIED

UNLESS OTHERWISE SPECIFIED: DIMENSIONS ARE IN INCHES. DIMENSIONS IN BRACKETS [] ARE IN MILLIMETERS. TOLERANCES ARE:

DECIMALS	METRIC	ANGLES
.XX ±.03	X ± 0.8	± 1°
.XXX ±.010	.XX ± 0.25	

APPROVALS DATE

ORIG	LN	03/25/16
CHK	KG	09/27/18
APP	W	10/12/18

ALL MACHINED SURFACES. TOTAL RUNOUT WITHIN .005. BREAK SHARP EDGES .005 TO .010. MACHINED FILLET RADII .005 TO .015. WELDING SYMBOLS PER AWS A2.4. ABBREVIATIONS PER MIL-STD-12.

63/

THIRD ANGLE PROJECTION

DO NOT SCALE DRAWING

DYTRAN INSTRUMENTS, INC. Chatsworth, CA

TITLE: **OUTLINE/INSTALLATION DWG, DT04-6P TO (2) DT04-6S "Y" SPLITTER, MODEL 60005A02**

SIZE	CAGE CODE	DWG NO	REV
B	2W033	127-60005A	A

SCALE: 2:3 SHEET 1 OF 1