

4

3

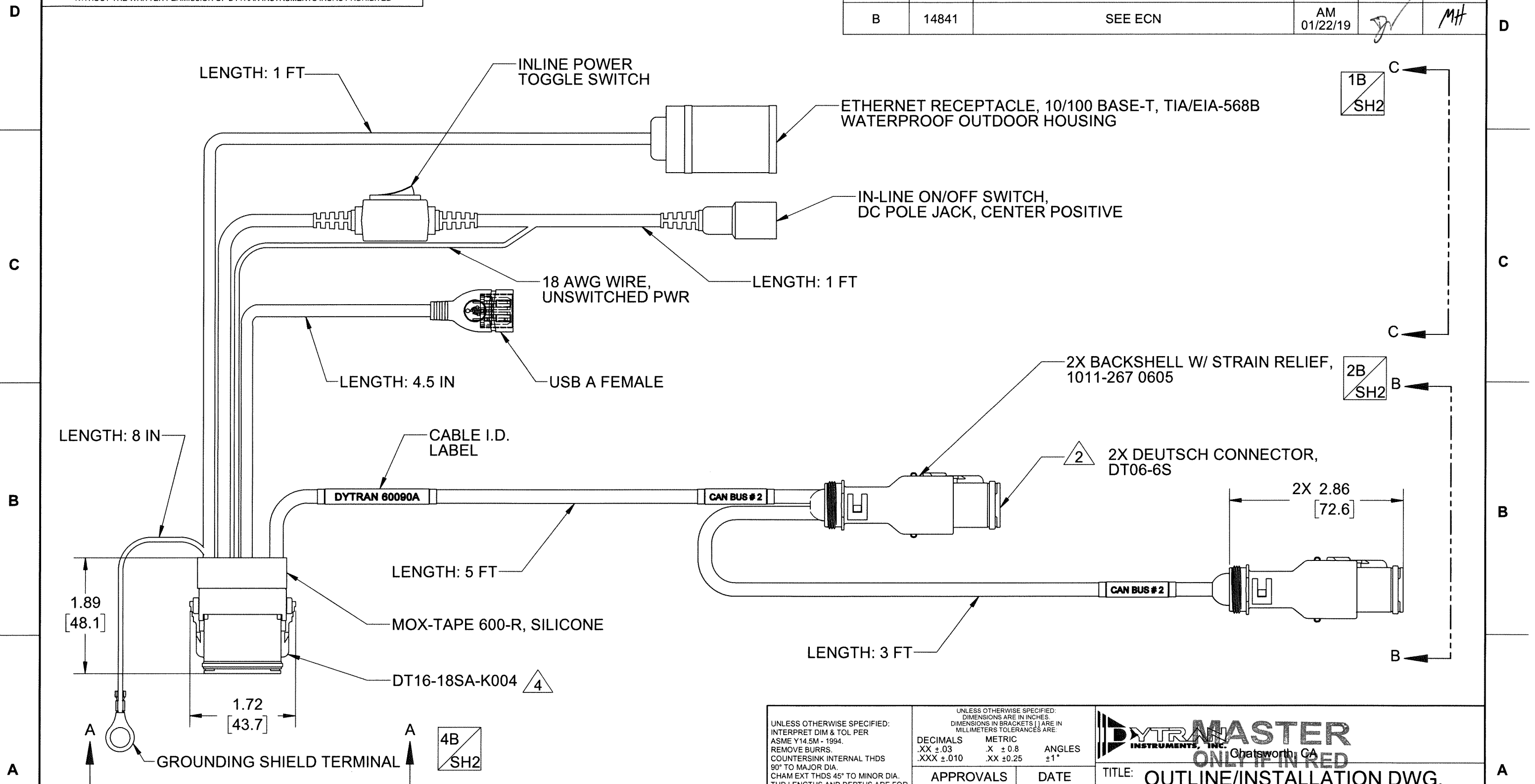
2

1

DWG NO 127-60090A		SH 1	REV B	REVISIONS		
REV.	ECN	DESCRIPTION		BY/DATE	CHK	APPR
B	14841	SEE ECN		AM 01/22/19	<i>[Signature]</i>	<i>MH</i>

**PROPRIETARY AND CONFIDENTIAL**

THE INFORMATION CONTAINED IN THIS DRAWING IS THE SOLE PROPERTY OF DYTRAN INSTRUMENTS INC. ANY REPRODUCTION IN PART OR AS A WHOLE WITHOUT THE WRITTEN PERMISSION OF DYTRAN INSTRUMENTS INC. IS PROHIBITED



1. REFER TO SHEET 2: ZONE 4/A FOR ALL SPECIFIED NOTES.

NOTES: UNLESS OTHERWISE SPECIFIED

UNLESS OTHERWISE SPECIFIED: INTERPRET DIM & TOL PER ASME Y14.5M - 1994. REMOVE BURRS. COUNTERSINK INTERNAL THDS 90° TO MAJOR DIA. CHAM EXT THDS 45° TO MINOR DIA. THD LENGTHS AND DEPTHS ARE FOR MIN FULL THDS. DIMENSIONS APPLY AFTER FINISHING.	UNLESS OTHERWISE SPECIFIED: DIMENSIONS ARE IN INCHES. DIMENSIONS IN BRACKETS [ ] ARE IN MILLIMETERS TOLERANCES ARE:					
	DECIMALS .XX ± .03 .XXX ± .010	METRIC X ± 0.8 .XX ± 0.25	ANGLES ±1°	<b>MASTER</b> ONLY IF IN RED TITLE: <b>OUTLINE/INSTALLATION DWG, CAN-MD LOGGER HARNESS - END USER, MODEL 60090A</b>		
	APPROVALS ORIG AM 05/08/18 CHK DV 10/03/18 APP EM 10/04/18			DATE 05/08/18 10/03/18 10/04/18		
	ALL MACHINED SURFACES: $\checkmark$ TOTAL RUNOUT WITHIN .005. BREAK SHARP EDGES .005 TO .010. MACHINED FILLET RADII .005 TO .015. WELDING SYMBOLS PER AWS A2.4. ABBREVIATIONS PER MIL-STD-12.			THIRD ANGLE PROJECTION 		
DO NOT SCALE DRAWING			SIZE <b>B</b>	CAGE CODE <b>2W033</b>	DWG NO <b>127-60090A</b>	
			SCALE: 2:3	REV <b>B</b>		
			SHEET 1 OF 3			

**PROPRIETARY AND CONFIDENTIAL**

THE INFORMATION CONTAINED IN THIS DRAWING IS THE SOLE PROPERTY OF DYTRAN INSTRUMENTS INC. ANY REPRODUCTION IN PART OR AS A WHOLE WITHOUT THE WRITTEN PERMISSION OF DYTRAN INSTRUMENTS INC. IS PROHIBITED

D

D

C

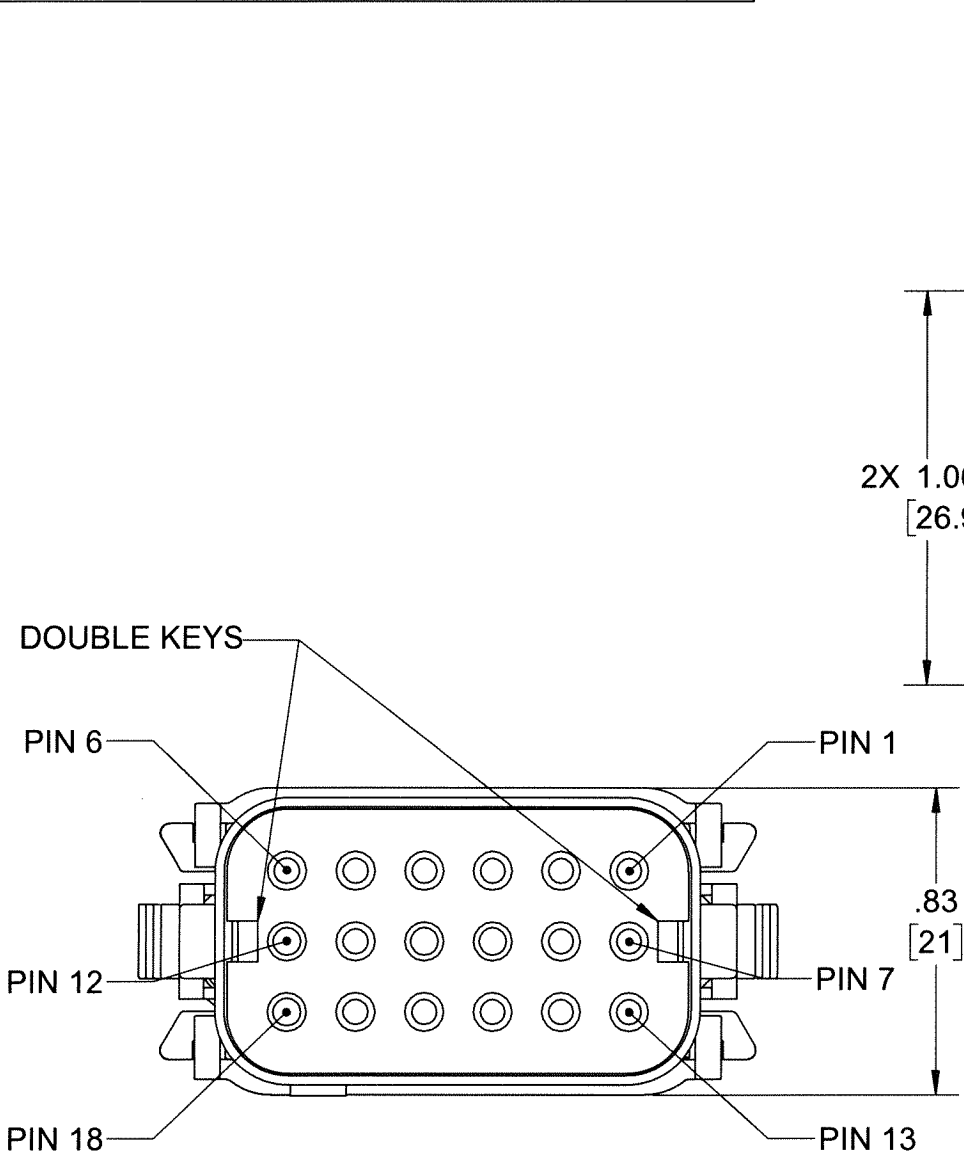
C

B

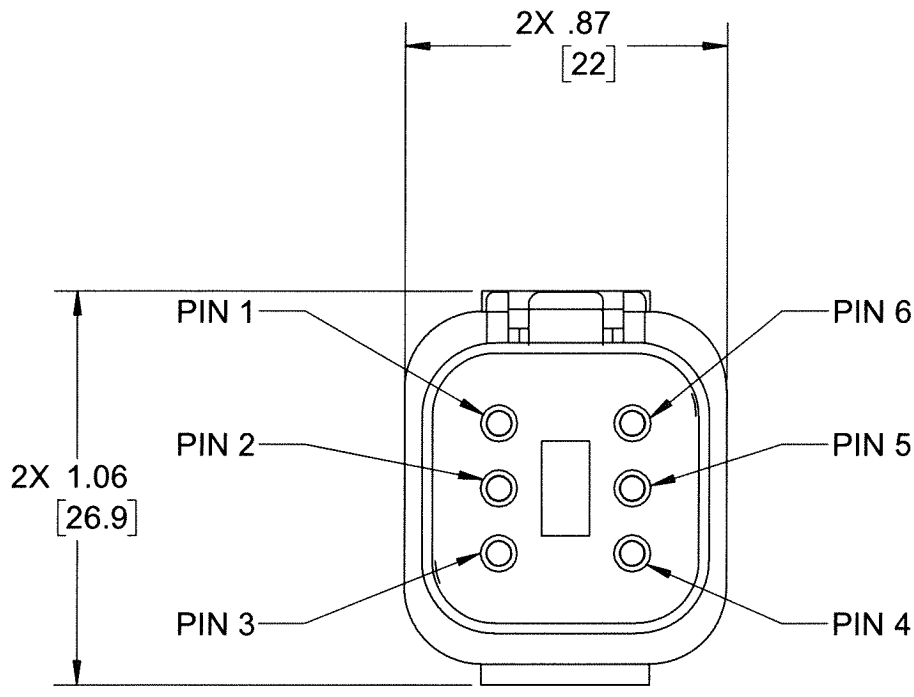
B

A

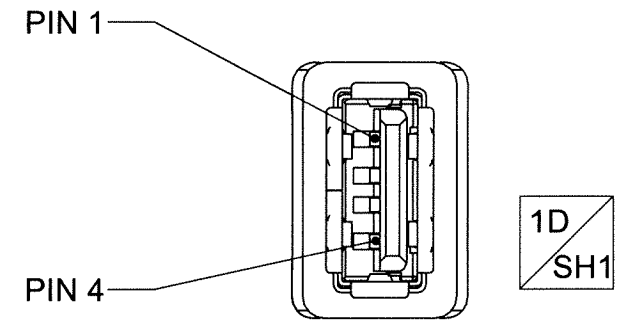
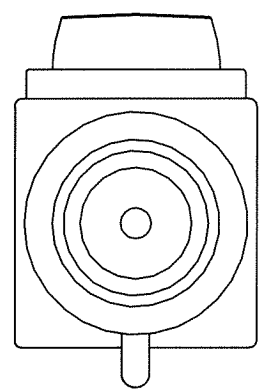
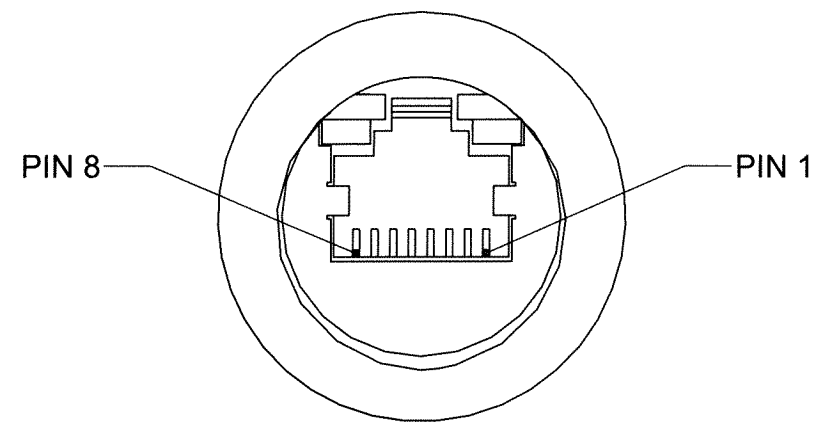
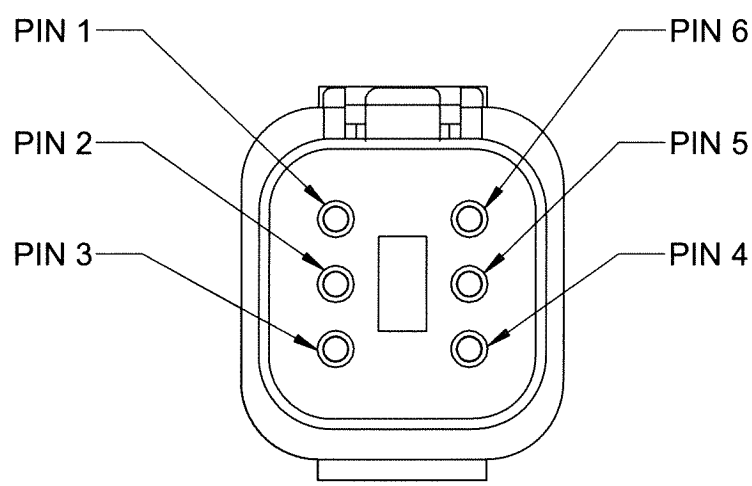
A



**VIEW A-A** 4A / SH1



**VIEW B-B** 1B / SH1



**VIEW C-C**

1D / SH1

- 4 FOR USE WITH DYTRAN MODEL 4778A.
- 3. OPERATING TEMPERATURE: 32°F (0°C) TO 158°F (70°C)
- 2 MATES WITH DEUTSCH P/N: DT04-6P

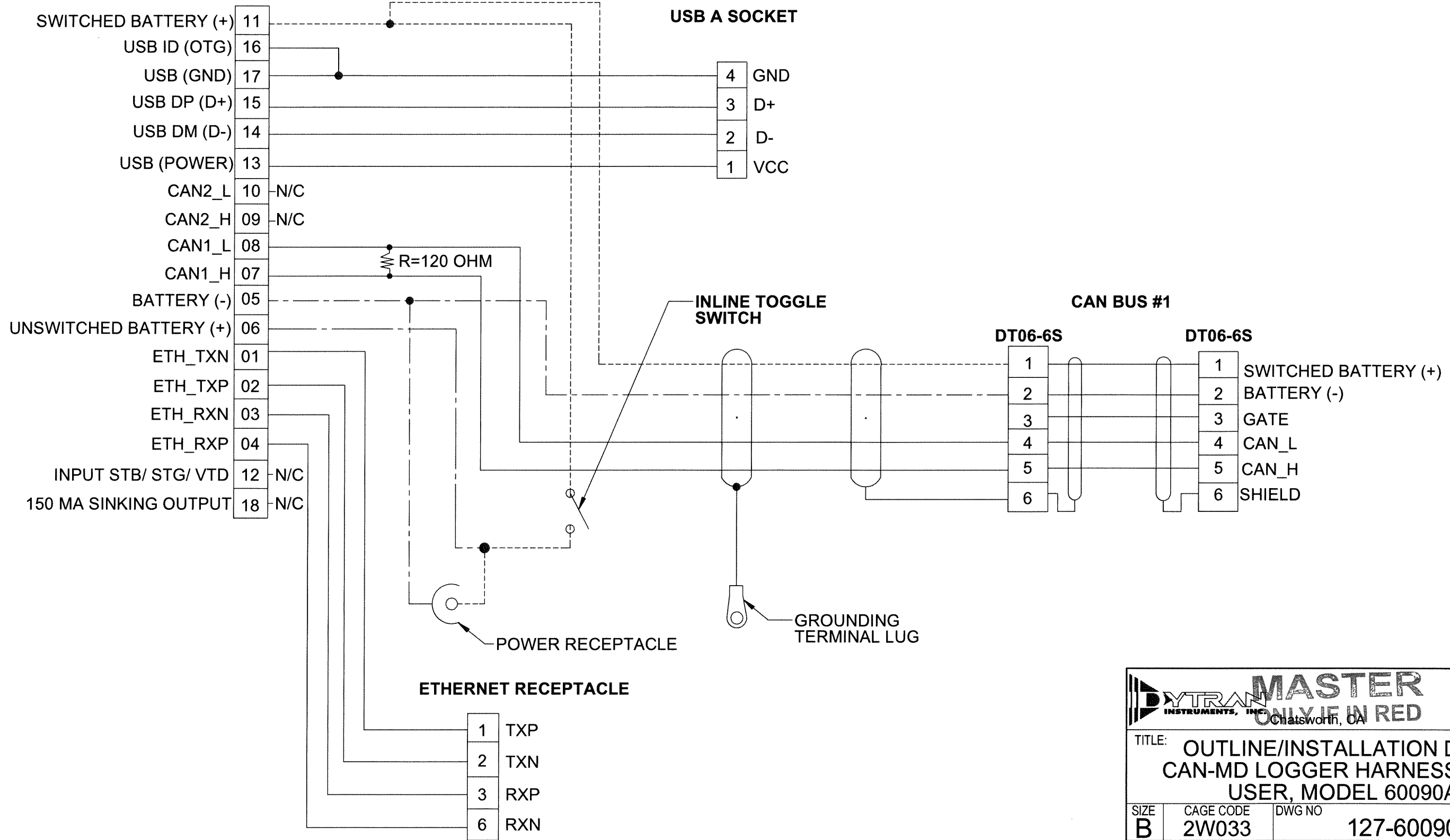
<b>DYTRAN</b>		<b>MASTER</b>	
INSTRUMENTS, INC.		Chatsworth, CA	
ONLY IN RED			
TITLE: <b>OUTLINE/INSTALLATION DWG, CAN-MD LOGGER HARNESS - END USER, MODEL 60090A</b>			
SIZE	CAGE CODE	DWG NO	REV
<b>B</b>	<b>2W033</b>	<b>127-60090A</b>	<b>B</b>
SCALE:	2:1	PART NO: 60090A	SHEET 2 OF 3


PROPRIETARY AND CONFIDENTIAL

THE INFORMATION CONTAINED IN THIS DRAWING IS THE SOLE PROPERTY OF DYTRAN INSTRUMENTS INC. ANY REPRODUCTION IN PART OR AS A WHOLE WITHOUT THE WRITTEN PERMISSION OF DYTRAN INSTRUMENTS INC. IS PROHIBITED

### SCHEMATIC DIAGRAM

DT16-18SA-K004



 <b>MASTER</b> <small>Chatsworth, CA</small>			
<b>ONLY IF IN RED</b>			
TITLE: <b>OUTLINE/INSTALLATION DWG, CAN-MD LOGGER HARNESS - END USER, MODEL 60090A</b>			
SIZE	CAGE CODE	DWG NO	REV
<b>B</b>	<b>2W033</b>	<b>127-60090A</b>	<b>B</b>
SCALE:	1:4	PART NO: 60090A	SHEET 3 OF 3