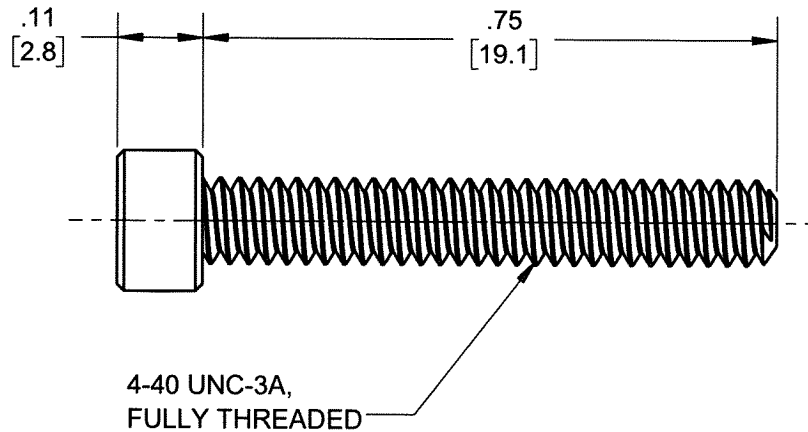
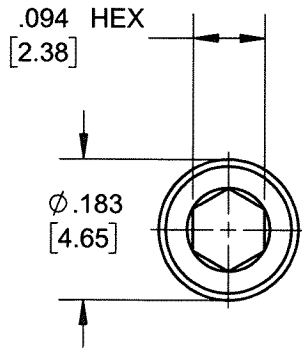


**PROPRIETARY AND CONFIDENTIAL**

THE INFORMATION CONTAINED IN THIS DRAWING IS THE SOLE PROPERTY OF DYTRAN INSTRUMENTS INC. ANY REPRODUCTION IN PART OR AS A WHOLE WITHOUT THE WRITTEN PERMISSION OF DYTRAN INSTRUMENTS INC. IS PROHIBITED

**REVISIONS**

REV	ECN	DESCRIPTION	BY/DATE	CHK	APPR
A	14697	INITIAL RELEASE, SAME AS X1	DP 11/13/18	KG	LN



1. MATERIAL: 18-8 STAINLESS STEEL

		UNLESS OTHERWISE SPECIFIED: INTERPRET DIM & TOL PER ASME Y14.5M - 1994. REMOVE BURRS. COUNTERSINK INTERNAL THDS 90° TO MAJOR DIA. CHAM EXT THDS 45° TO MINOR DIA. THD LENGTHS AND DEPTHS ARE FOR MIN FULL THDS. THDS PER MIL-S-7742. DIMENSIONS APPLY AFTER FINISHING.		UNLESS OTHERWISE SPECIFIED: DIMENSIONS ARE IN INCHES. DIMENSIONS IN BRACKETS [ ] ARE IN MILLIMETERS TOLERANCES ARE: INCHES    METRIC    ANGLES .XX ± .03    .X ± 0.8    ± 1° .XXX ± .010    .XX ± 0.25		CONTRACT NO.		<p><b>MASTER</b> ONLY IF IN RED Chatsworth, CA</p>			
USED ON	NEXT ASSY	MATERIAL		APPROVALS		DATE				TITLE: <b>OUTLINE/INSTALLATION DRAWING,                  SHCS, 4-40 x .75L, 69001</b>	
APPLICATION		FINISH		ORIG	LN	01/24/17		SIZE	CAGE CODE		
THIRD ANGLE PROJECTION USA		DO NOT SCALE DRAWING		CHK	KG	11/13/18		<b>A</b>	<b>2W033</b>	<b>127-69001</b>	<b>A</b>
				APP	LN	11/19/18		SCALE: NONE	SOLIDWORKS	SHEET 1 OF 1	