



Military & Defense

Cortron Model 80 Rugged Keyboard

The Cortron Model 80 series Rugged Keyboard offers Cortron's ultra-reliability, and quality in a very compact package. The QWERTY key layout, without a number pad is designed to minimize left-right dimensions for increased installation flexibility. The design, quality, and rugged construction enable the Model 80 to deliver trouble-free mission critical operation in harsh environments typically found in shipboard, airborne, ground based, and industrial applications.

TECHNICAL SPECIFICATIONS

Key Layout	Compact QWERTY, Key Spacing @ 0.75" OC (Typ.), MIL-STD-1472 MOPP IV Ergonomics
Keys	Cortron Forever keys / legends are chemically and abrasion resistant. Full Travel, 100 million cycles. Standard USA layout or per customer request. Custom keycap legends and Multi color keys available
Backlighting	Negative image legends (legends glow) and key brightness control available. Green, Red, Yellow, White, Blue, NVIS Green A or B. Low Power backlighting, No Extra Power Needed
Interfaces	USB, SUN USB, PS2, other interfaces upon request
Connections	Bulkhead or Attached Cable (Various Lengths): 9-Pin D-Sub, MIL Circular, or Custom
Pointing Devices	Multiple options: 1-3/8" or 2" Trackballs, DuraPuck, Touch Pad
Enclosures & Mounting	Durable metal enclosure with scratch resistant finish. Panel, Table, Rack, or Custom Mounting.
Colors	Standards are black, Navy gray, Army green, and off-white; Custom colors are available upon request
Power	Logic +5VDC @250mA (no backlighting), @450mA (low-level backlighting) Optional +24 to +28VDC, MIL-STD-704
Temperature	STANDARD: -20°C to +70°C (Operating) & -40°C to +70°C (Storage) OPTIONAL: -40°C to +71°C (Operating) & -55°C to +85°C (Storage)
Enclosure Sealing	STANDARD: NEMA 4 & IP65, MIL-STD-810/108 15° Inclination, MIL-STD-810 for Sand & Dust OPTIONAL: NEMA 6 & IP67, MIL-STD-810 1m Submersion
Shock	STANDARD: MIL-STD-810 @30g OPTIONAL: MIL-S-901D, Grade A Class I, Type A
Vibration	MIL-STD-810, MIL-STD-167-1
EMI/EMC	MIL-STD-461, IEC60945
ESD	STANDARD: EN61000-4-2, 6kV Contact Discharge, 8kV Air Discharge OPTIONAL: DO-160, 18kV
Environmental (Other)	MIL-STD-810 for Humidity, Salt Fog, Decompression, Noise
Dimensions & Weight	Varies dependent on options selected, refer to Cortron EMK Drawing
MTBF	KEYBOARD: 200,000-300,000 hours, typical, 25°C Ground Benign, MIL-HDBK-217 TRACKBALL: 100,000-200,000 hours, typical, 25°C Ground Benign, MIL-HDBK-217
Workmanship	STANDARD: MIL-STD-454, IPC-610 Class 2 OPTIONAL: IPC-610 Class 3 or J-STD001 Class 2 or 3

Looking for different specifications to meet your application needs? We are specialists in custom engineered solutions.

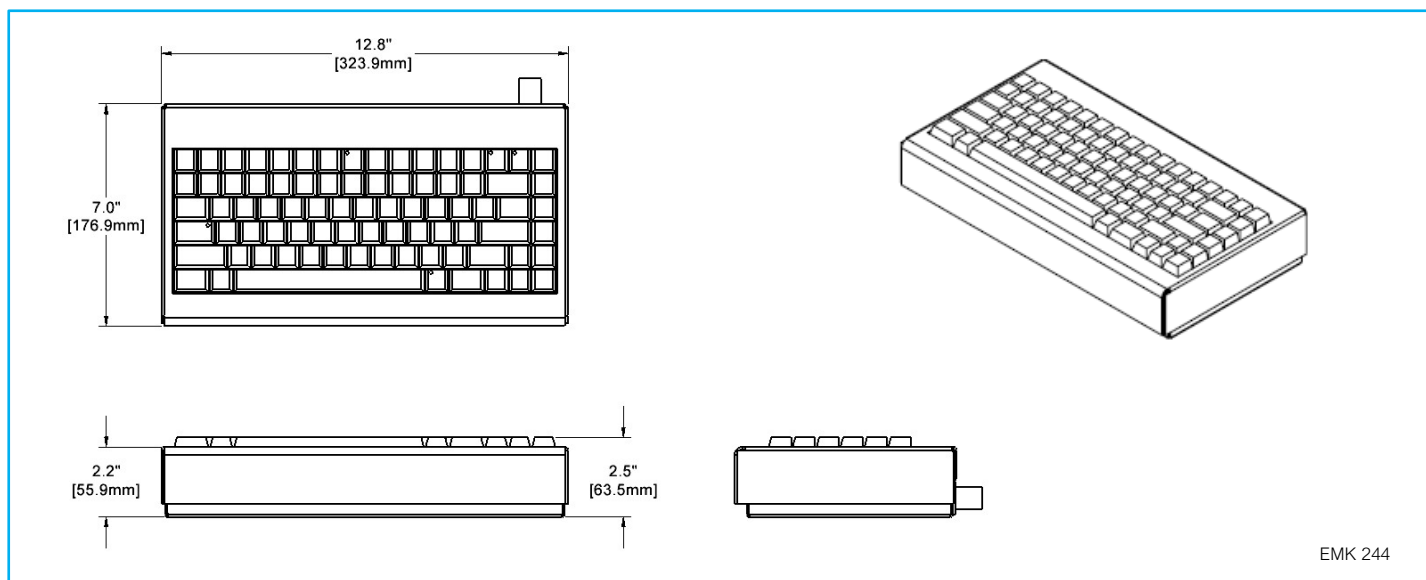
Contact us to learn more ... insidesales@comarkcorp.com



Cortron Model 80 Rugged Keyboard

Similar to all Cortron HMI Devices, the Model 80 Keyboard offers many options and configurations to meet your program requirements. Mounting options include table-top (with feet or bolt down configuration) or mounting flange for panel mount installation. The Model 80 can be ordered with or without an integral pointing device and/or USB hub for easy integration into your host system. The following are typical mechanical designs for the Model 80, contact Cortron for specific dimensions for your application requirements.

Cortron Model 80 – Table Top w/o Pointing Device



Cortron Model 80 – Panel Mount w/ Integrated Trackball

