

Product Model: **MM111A Series**

Piezoelectric IEPE Accelerometer

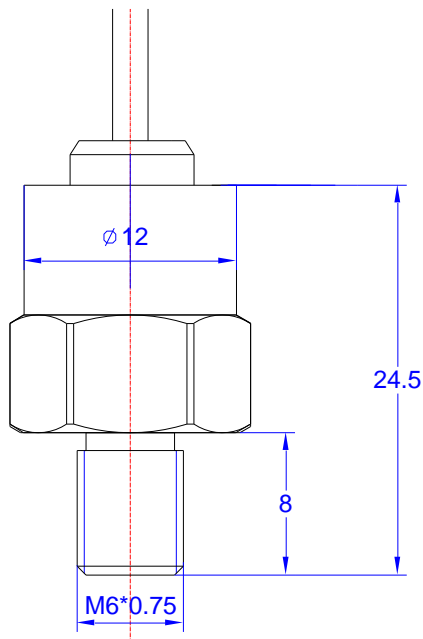
Version: A Date: 16/08/2022

Sensor Feature:

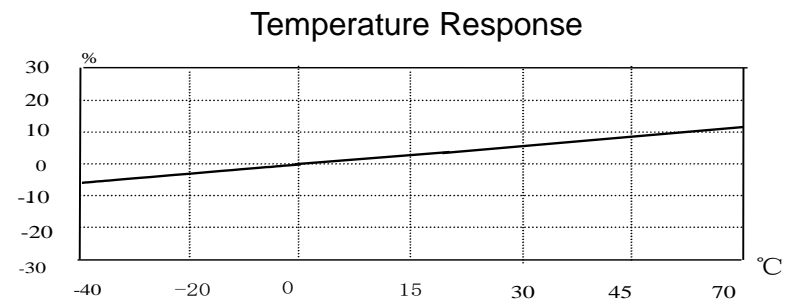
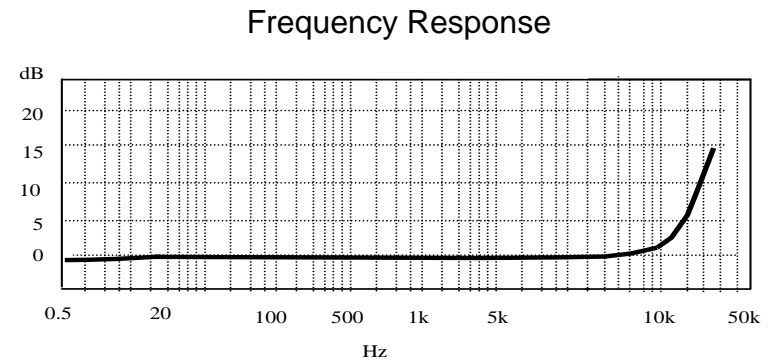
- Sturdy construction
- Integral cable
- Shear design to reduce the influence of the environment on the signal

Uses:

- High-level mechanical shock and vibration measurement
- Automotive crash tests



Model	MM111A-01G
Sensitivity ($\pm\pm 10\%$)	0.5 mV/g
Measurement Range	± 10000 g
Resolution	50 mg rms
Frequency Range (± 1 dB)	1-10,000 Hz
Resonant Frequency	~ 40 kHz
Non-linearity	$\leq 5\%$
Temperature Range	-40 \sim +70 °C
Insulation Resistance	$\geq 10^{10}\Omega$
Excitation Voltage	+18-+28 VDC
Excitation Current	2 - 10 mA
Output Impedance	$< 100 \Omega$
Output Bias Voltage	11 \pm 1.5 VDC
Sensing Element/Geometry	Ceramic/Shear
Size mm	As left figure
Weight	~ 10 g
Mounting	M6x0.75(Male) Or M5(Male)
Housing Material	Titanium



Metromatics

ABN: 47 007 346 287

Accessories

- Integral coaxial shielded cable 2m
- Certificate of inspection 1ea

Remark

25 Flinders Parade, North Lakes QLD 4509, AUSTRALIA
www.metromatics.com.au sales@metromatics.com.au
 Brisbane: +61 7 3868 4255 I Sydney: +61 2 9460 4355
 Melbourne: +61 3 9872 4592 I Adelaide: +61 8 8343 8516