

Product Model: **MM111A Series**

Piezoelectric IEPE Accelerometer

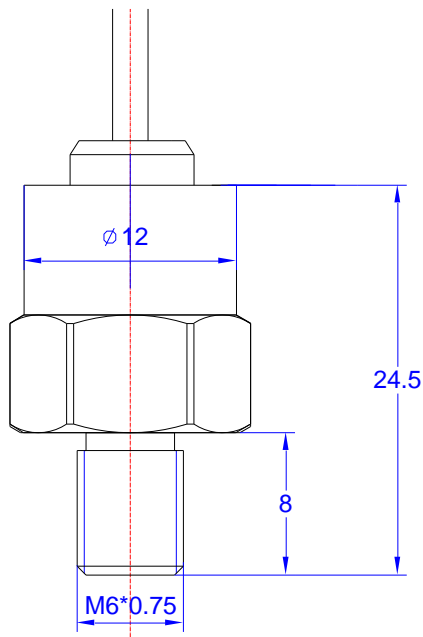
Version: A Date: 17/3/2022

Sensor Feature:

- Sturdy construction
- Integral cable
- Shear design to reduce the influence of the environment on the signal

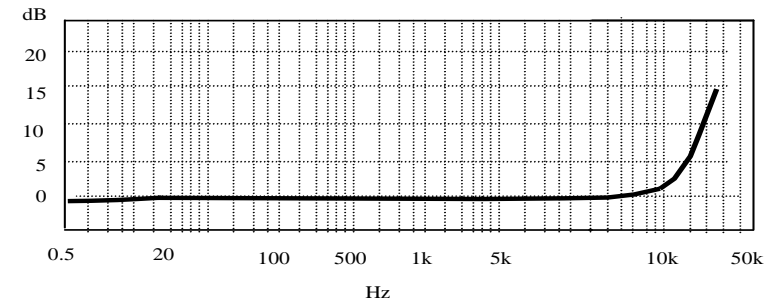
Uses:

- High-level mechanical shock and vibration measurement
- Automotive crash tests

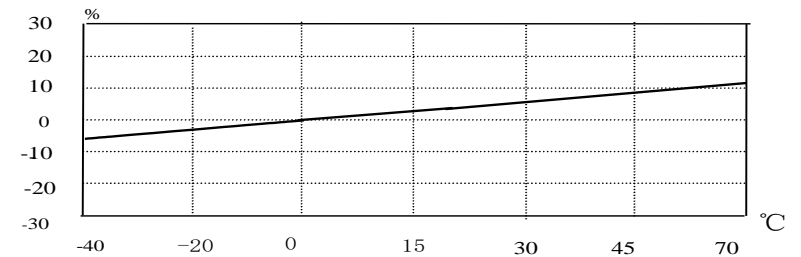


| Model | MM111A-02G |
|-------------------------------|------------------------------|
| Sensitivity ($\pm 10\%$) | 0.25 mV/g |
| Measurement Range | $\pm 20,000$ g |
| Resolution | 100 mg rms |
| Frequency Range (± 1 dB) | 1-10,000 Hz |
| Resonant Frequency | ~ 40 kHz |
| Non-linearity | $\leq 10\%$ |
| Temperature Range | -40 \sim +70 °C |
| Insulation Resistance | $\geq 10^{10}\Omega$ |
| Excitation Voltage | +18-+28 VDC |
| Excitation Current | 2 - 10 mA |
| Output Impedance | $< 100 \Omega$ |
| Output Bias Voltage | 11 \pm 1.5 VDC |
| Sensing Element/Geometry | Ceramic/Shear |
| Size mm | As left figure |
| Weight | ~ 10 g |
| Mounting | M6x0.75(Male) Or M5(Male) |
| Housing Material | Titanium |

Frequency Response



Temperature Response



Accessories

- Integral coaxial shielded cable 2m
- Certificate of inspection 1ea

Remark



Metromatics

ABN: 47 007 346 287

25 Flinders Parade, North Lakes QLD 4509, AUSTRALIA
www.metromatics.com.au sales@metromatics.com.au
 Brisbane: +61 7 3868 4255 | Sydney: +61 2 9460 4355
 Melbourne: +61 3 9872 4592 | Adelaide: +61 8 8343 8516