

Product Model: **MM121A Series**

## Piezoelectric IEPE Accelerometer

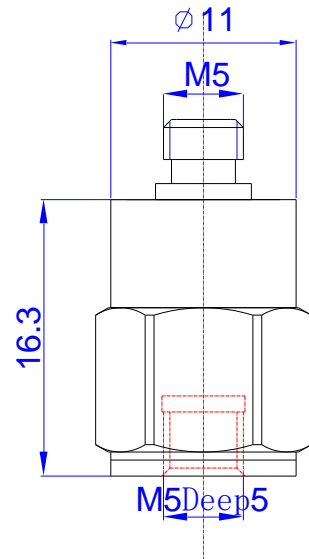
Version: A Date: 17/3/2022

**Sensor Feature:**

- Sturdy construction
- M5 or Integral Cable (Optional)
- Shear design to reduce the influence of the environment on the signal

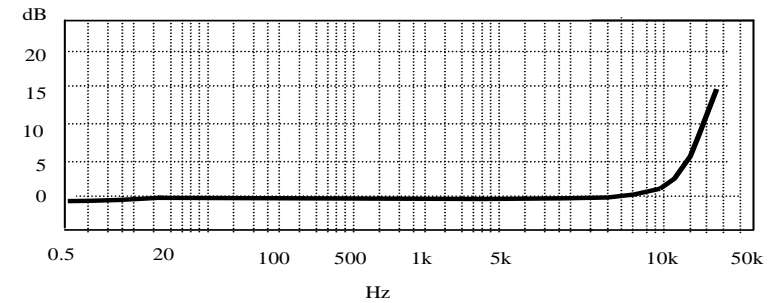
**Uses:**

- High-level mechanical shock and vibration measurement
- Automotive crash tests

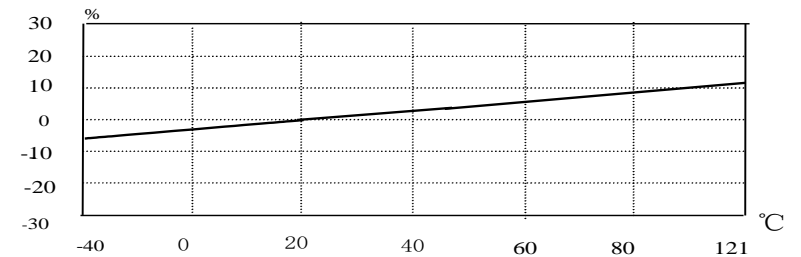


Model	MM121A-01
Sensitivity ( $\pm 10\%$ )	1 mV/g
Measurement Range	$\pm 5,000$ g
Resolution	20 mg rms
Frequency Range ( $\pm 1$ dB)	1-10,000 Hz
Resonant Frequency	$\sim 40$ kHz
Non-linearity	$\leq 1\%$
Temperature Range	-40 $\sim$ +121 $^{\circ}\text{C}$
Transverse Sensitivity	$\leq 5\%$
Excitation Voltage	+18-+28 VDC
Excitation Current	2 - 10 mA
Output Impedance	$< 100 \Omega$
Output Bias Voltage	11 $\pm$ 1.5 VDC
Sensing Element/Geometry	Ceramic/Shear
Size mm	As left figure
Weight	$\sim 10$ g
Mounting	M5 (female)
Housing Material	High Strength Stainless Steel

Frequency Response



Temperature Response



**Metromatics**

ABN: 47 007 346 287

**Accessories**

- 2 Metre Coaxial Shielded Cable 1ea
- Certificate of inspection 1ea + M5 Stud 1ea

25 Flinders Parade, North Lakes QLD 4509, AUSTRALIA  
[www.metromatics.com.au](http://www.metromatics.com.au)      [sales@metromatics.com.au](mailto:sales@metromatics.com.au)  
 Brisbane: +61 7 3868 4255    |    Sydney: +61 2 9460 4355  
 Melbourne: +61 3 9872 4592    |    Adelaide: +61 8 8343 8516

**Remark**