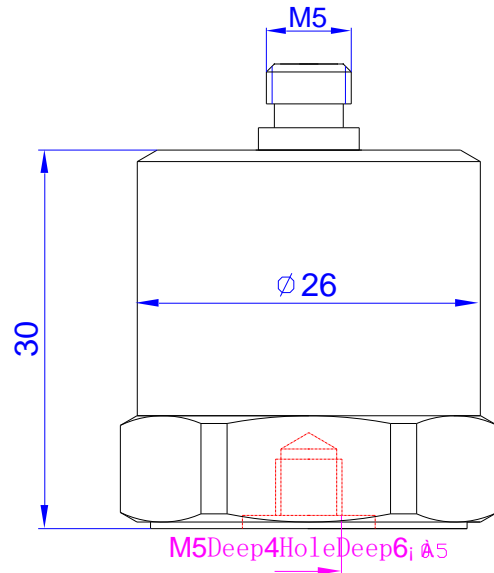


Product Model: **MM121A Series**

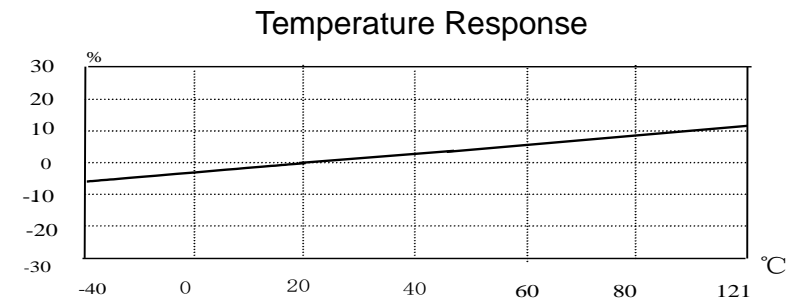
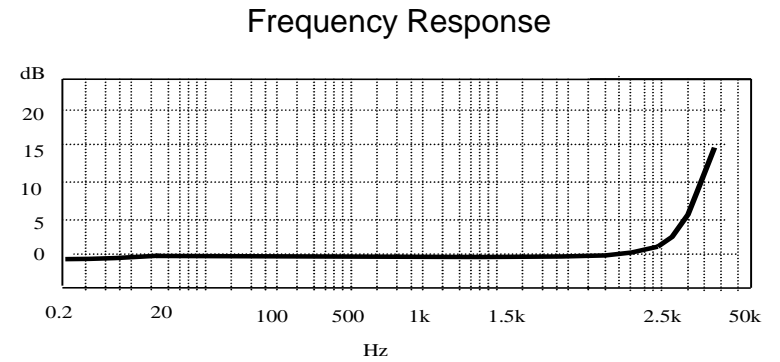
Piezoelectric IEPE Accelerometer

Version: A Date: 17/3/2022

Sensor Feature:
 Shear design to reduce the influence of the environment on the signal.
 Using wide temperature coefficient ceramic material
 Stable output in high and low temperatures



Model	MM121A-1000
Sensitivity ($\pm 10\%$)	1000 mV/g
Measurement Range	± 5 g
Resolution	0.05 mg rms
Frequency Range (± 1 dB)	0.2-2,500 Hz
Resonant Frequency	~ 10 kHz
Non-linearity	$\leq 1\%$
Temperature Range	-40 \sim +121 °C
Transverse Sensitivity	$\leq 5\%$
Excitation Voltage	+18-+28 VDC
Excitation Current	2 - 10 mA
Output Impedance	<100 Ω
Output Bias Voltage	11 \pm 1.5 VDC
Sensing Element/Geometry	Ceramic/Shear
Size mm	As left figure
Weight	~ 105 g
Mounting	M5 (female)
Housing Material	Stainless Steel



Metromatics

ABN: 47 007 346 287

Accessories

- 2 Metre Coaxial Shielded Cable 1ea
- Certificate of inspection 1ea + M5 Stud 1ea

Remark

Output Connector – M5 Top

25 Flinders Parade, North Lakes QLD 4509, AUSTRALIA
www.metromatics.com.au sales@metromatics.com.au
 Brisbane: +61 7 3868 4255 I Sydney: +61 2 9460 4355
 Melbourne: +61 3 9872 4592 I Adelaide: +61 8 8343 8516