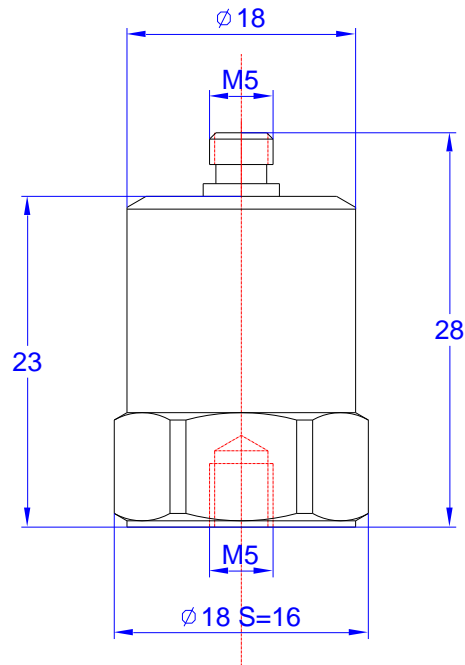


Product Model: **MM121A Series**

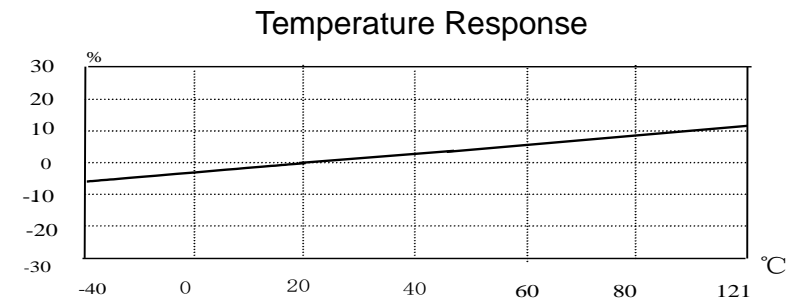
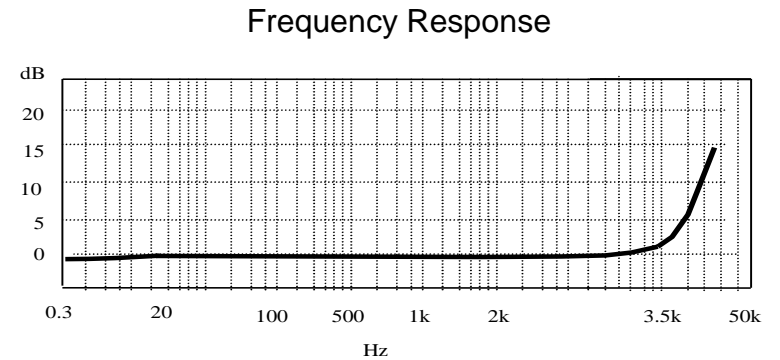
## Piezoelectric IEPE Accelerometer

Version: A Date: 17/3/2022

Sensor Feature:  
 Shear design to reduce the influence of the environment on the signal.  
 Using wide temperature coefficient ceramic material  
 Stable output in high and low temperatures



Model	MM121A-500
Sensitivity ( $\pm 10\%$ )	500 mV/g
Measurement Range	$\pm 10$ g
Resolution	0.1 mg rms
Frequency Range ( $\pm 1$ dB)	0.3-3,500 Hz
Resonant Frequency	$\sim 15$ kHz
Non-linearity	$\leq 1\%$
Temperature Range	-40 $\sim$ +121 °C
Transverse Sensitivity	$\leq 5\%$
Excitation Voltage	+18-+28 VDC
Excitation Current	2 - 10 mA
Output Impedance	<100 $\Omega$
Output Bias Voltage	11 $\pm$ 1.5 VDC
Sensing Element/Geometry	Ceramic/Shear
Size mm	As left figure
Weight	$\sim 40$ g
Mounting	M5 (female)
Housing Material	Stainless Steel



# Metromatics

ABN: 47 007 346 287

Accessories

- 2 Metre Coaxial Shielded Cable 1ea
- Certificate of inspection 1ea + M5 Stud 1ea

Remark

Output Connector – M5 Top

25 Flinders Parade, North Lakes QLD 4509, AUSTRALIA  
[www.metromatics.com.au](http://www.metromatics.com.au)      [sales@metromatics.com.au](mailto:sales@metromatics.com.au)  
 Brisbane: +61 7 3868 4255    |    Sydney: +61 2 9460 4355  
 Melbourne: +61 3 9872 4592    |    Adelaide: +61 8 8343 8516