

Product Model: **MM122A Series**

Piezoelectric IEPE Accelerometer

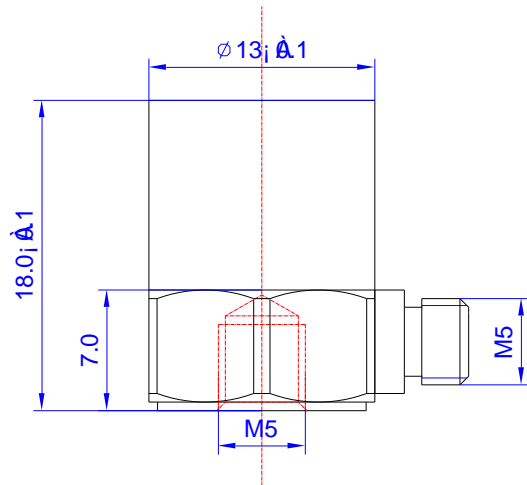
Version: A Date: 17/3/2022

Sensor Feature:

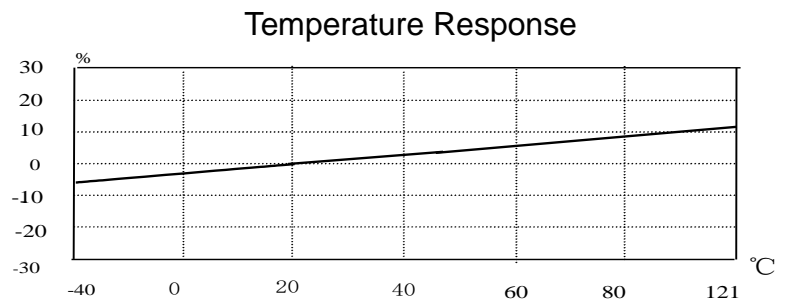
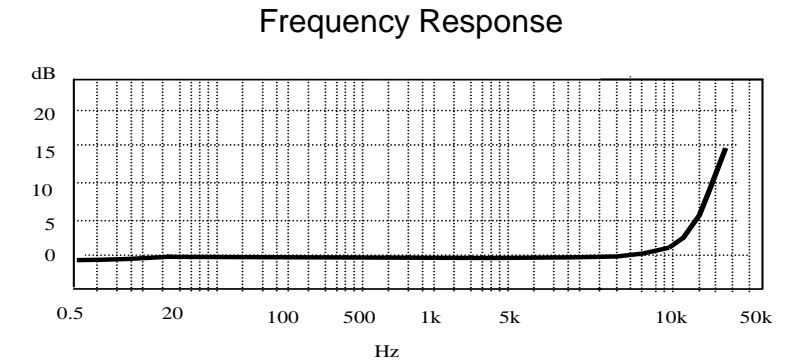
Shear design to reduce the influence of the environment on the signal

Using wide temperature coefficient ceramic material

Stable output in high and low temperature



Model	MM122A-100
Sensitivity (±10%)	100 mV/g
Measurement Range	±50 g
Resolution	0.5 mg rms
Frequency Range (±1 dB)	0.5-10,000 Hz
Resonant Frequency	~25 kHz
Non-linearity	≤1%
Temperature Range	-40 ~+121 °C
Transverse Sensitivity	≤5%
Excitation Voltage	+18-+28 VDC
Excitation Current	2 - 10 mA
Output Impedance	<100 Ω
Output Bias Voltage	11±1.5 VDC
Sensing Element/Geometry	Ceramic/Shear
Size mm	As left figure
Weight	~20 g
Mounting	M5 (female)
Housing Material	Stainless Steel



Metromatics

ABN: 47 007 346 287

Accessories	<ul style="list-style-type: none"> • 2 Metre Coaxial Shielded Cable 1ea • Certificate of inspection 1ea + M5 Stud 1ea
-------------	---

Remark	Output Connector – M5 Side
--------	----------------------------

25 Flinders Parade, North Lakes QLD 4509, AUSTRALIA
www.metromatics.com.au sales@metromatics.com.au
 Brisbane: +61 7 3868 4255 | Sydney: +61 2 9460 4355
 Melbourne: +61 3 9872 4592 | Adelaide: +61 8 8343 8516