

Product Model: **MM131A Series**

High Sensitivity Accelerometer (Low-level vibration)

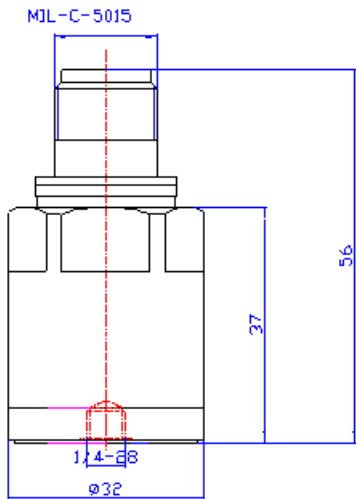
Version: A Date: 17/3/2022

Sensor Feature:

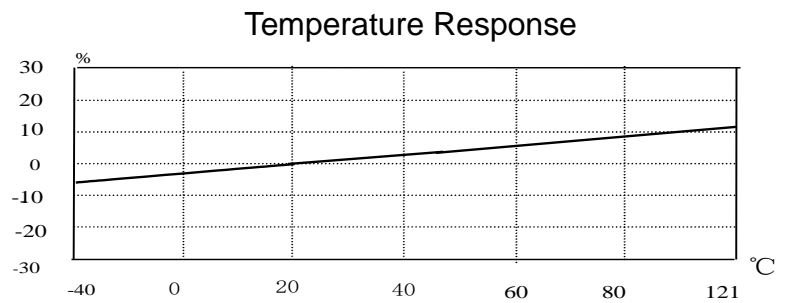
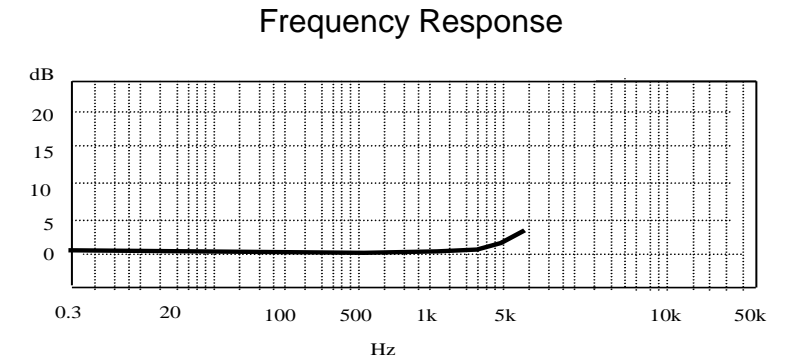
Shear design to reduce the influence of the environment on the signal

Using wide temperature coefficient ceramic material

Stable output in high and low temperature



Model	MM131A-01
Sensitivity ($\pm 10\%$)	1 V/g
Measurement Range	± 5 g
Resolution	0.05 mg rms
Frequency Range (± 3 dB)	0.1-3,000 Hz
Resonant Frequency	~ 5 kHz
Non-linearity	$\leq 1\%$
Temperature Range	-40 \sim +121 $^{\circ}\text{C}$
Transverse Sensitivity	$\leq 5\%$
Excitation Voltage	+18-+28 VDC
Excitation Current	2 - 10 mA
Output Impedance	$< 100 \Omega$
Output Bias Voltage	11 \pm 1.5 VDC
Sensing Element/Geometry	Ceramic/Shear
Size mm	As left figure
Weight	~ 180 g
Mounting	1/4-28 (female)
Housing Material	Stainless Steel



Metromatics

ABN: 47 007 346 287

Accessories	<ul style="list-style-type: none"> • 5 Metre 2 Core Shielded Cable 1ea • Certificate of inspection 1ea + 1/4-28 Stud 1ea
-------------	--

Remark	Output Connector – 2-Pin MIL-C-5015
--------	-------------------------------------

25 Flinders Parade, North Lakes QLD 4509, AUSTRALIA
www.metromatics.com.au sales@metromatics.com.au
 Brisbane: +61 7 3868 4255 | Sydney: +61 2 9460 4355
 Melbourne: +61 3 9872 4592 | Adelaide: +61 8 8343 8516