

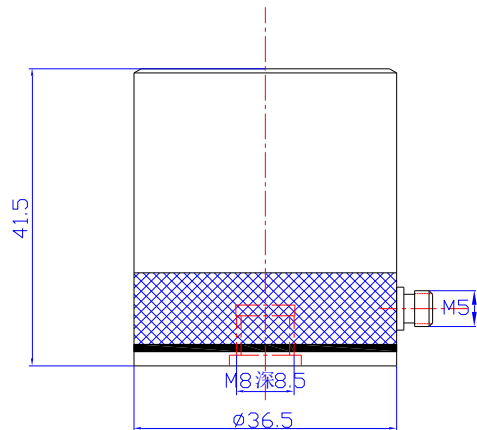
Product Model: **MM132A Series**

## High Sensitivity Accelerometer (Low-level vibration)

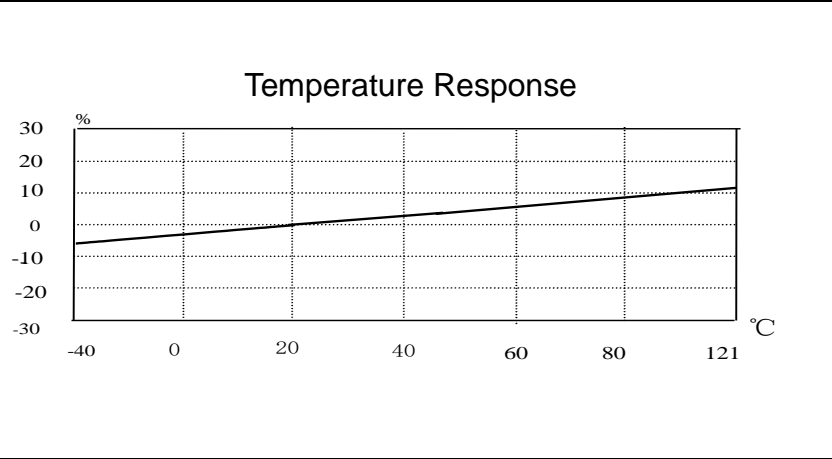
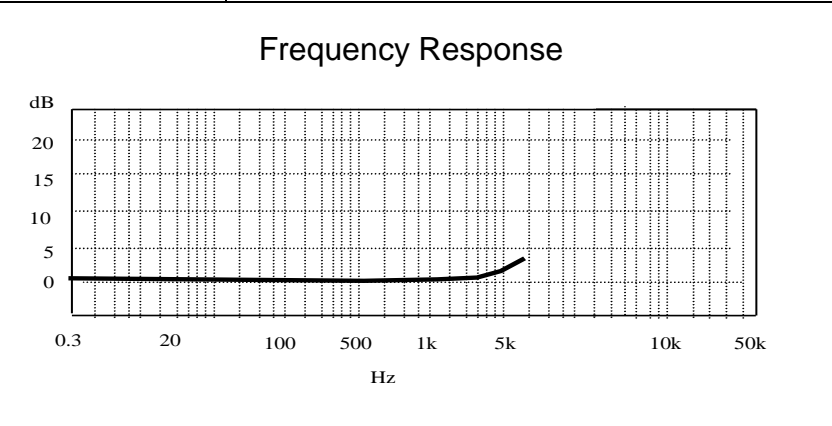
Version: A Date: 17/3/2022

**Sensor Feature:**

Shear design to reduce the influence of the environment on the signal  
 Using wide temperature coefficient ceramic material  
 Stable output in high and low temperature



Model	MM132A-05
Sensitivity ( $\pm 10\%$ )	5 V/g
Measurement Range	$\pm 1$ g
Resolution	0.005 mg rms
Frequency Range ( $\pm 3$ dB)	0.1-1,000 Hz
Resonant Frequency	$\sim 3$ kHz
Non-linearity	$\leq 1\%$
Temperature Range	-40 $\sim$ +121 $^{\circ}\text{C}$
Transverse Sensitivity	$\leq 5\%$
Excitation Voltage	+18-+28 VDC
Excitation Current	2 - 10 mA
Output Impedance	$< 100 \Omega$
Output Bias Voltage	11 $\pm$ 1.5 VDC
Sensing Element/Geometry	Ceramic/Shear
Size mm	As left figure
Weight	$\sim 280$ g
Mounting	M8 (female)
Housing Material	Stainless Steel



**Metromatics**

ABN: 47 007 346 287

Accessories	<ul style="list-style-type: none"> <li>• 5 Metre 2 Core Shielded Cable 1ea</li> <li>• Certificate of inspection 1ea + ¼-28 Stud 1ea</li> </ul>
-------------	--

Remark	Output Connector – M5 Side
--------	----------------------------

25 Flinders Parade, North Lakes QLD 4509, AUSTRALIA  
[www.metromatics.com.au](http://www.metromatics.com.au)      [sales@metromatics.com.au](mailto:sales@metromatics.com.au)  
 Brisbane: +61 7 3868 4255    |    Sydney: +61 2 9460 4355  
 Melbourne: +61 3 9872 4592    |    Adelaide: +61 8 8343 8516