

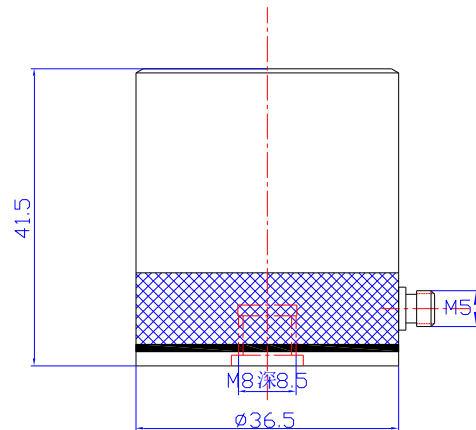
Product Model: **MM132A Series**

## High Sensitivity Accelerometer (Low-level vibration)

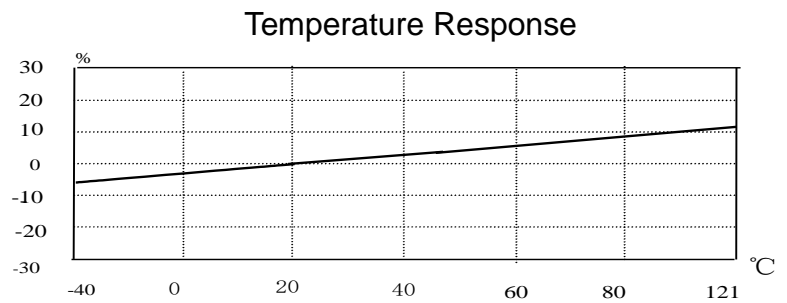
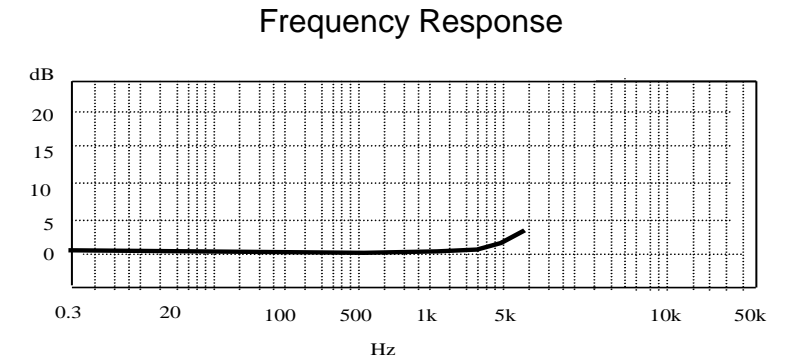
Version: A Date: 17/3/2022

**Sensor Feature:**

Shear design to reduce the influence of the environment on the signal  
 Using wide temperature coefficient ceramic material  
 Stable output in high and low temperature



| Model                         | MM132A-10                          |
|-------------------------------|------------------------------------|
| Sensitivity ( $\pm 10\%$ )    | 10 V/g                             |
| Measurement Range             | $\pm 0.5$ g                        |
| Resolution                    | 0.005 mg rms                       |
| Frequency Range ( $\pm 3$ dB) | 0.1-800 Hz                         |
| Resonant Frequency            | $\sim 2$ kHz                       |
| Non-linearity                 | $\leq 1\%$                         |
| Temperature Range             | -40 $\sim$ +121 $^{\circ}\text{C}$ |
| Transverse Sensitivity        | $\leq 5\%$                         |
| Excitation Voltage            | +18-+28 VDC                        |
| Excitation Current            | 2 - 10 mA                          |
| Output Impedance              | $< 100 \Omega$                     |
| Output Bias Voltage           | 11 $\pm$ 1.5 VDC                   |
| Sensing Element/Geometry      | Ceramic/Shear                      |
| Size mm                       | As left figure                     |
| Weight                        | $\sim 280$ g                       |
| Mounting                      | M8 (female)                        |
| Housing Material              | Stainless Steel                    |



**Metromatics**

ABN: 47 007 346 287

|             |  |
|-------------|--|
| Accessories | <ul style="list-style-type: none"> <li>• 5 Metre 2 Core Shielded Cable 1ea</li> <li>• Certificate of inspection 1ea + ¼-28 Stud 1ea</li> </ul> |
|-------------|--|

|        |                            |
|--------|----------------------------|
| Remark | Output Connector – M5 Side |
|--------|----------------------------|

25 Flinders Parade, North Lakes QLD 4509, AUSTRALIA  
[www.metromatics.com.au](http://www.metromatics.com.au)      [sales@metromatics.com.au](mailto:sales@metromatics.com.au)  
 Brisbane: +61 7 3868 4255    |    Sydney: +61 2 9460 4355  
 Melbourne: +61 3 9872 4592    |    Adelaide: +61 8 8343 8516