

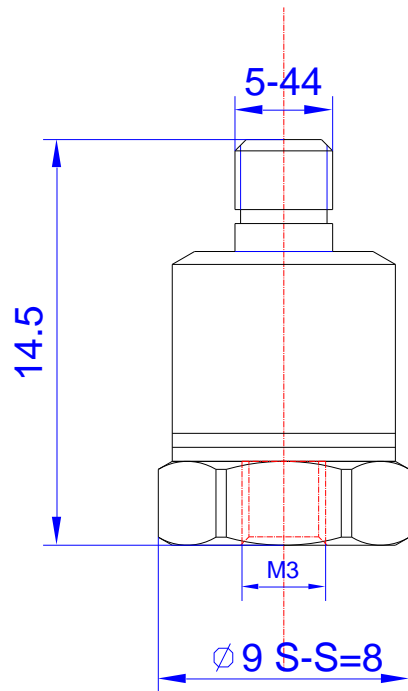
Product Model: **MM163A Series**

Miniature Single Axis IEPE Accelerometer

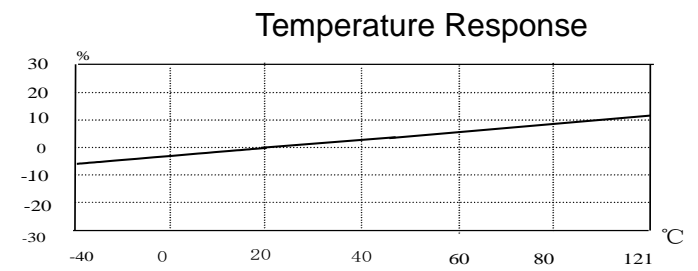
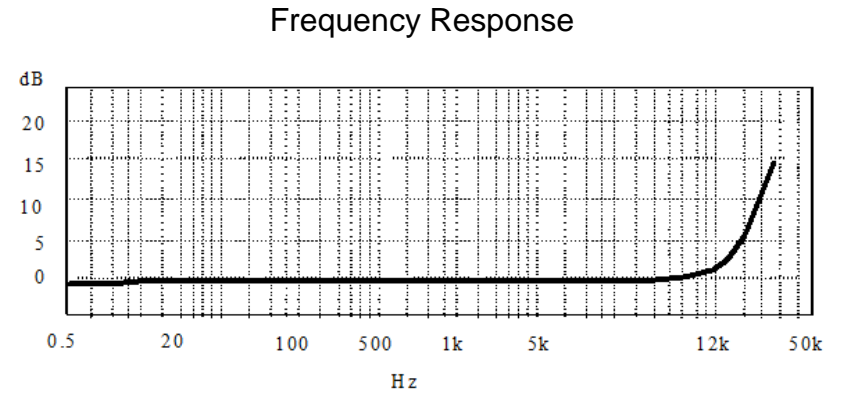
Version: A Date: 17/3/2022

Sensor Features:

- Ceramic material with wide temperature coefficient
- Stable output in high and low temperature
- Shear design to reduce the influence of the environment on the signal



Model	MM163A-10
Sensitivity ($\pm 10\%$)	10 mV/g
Measurement Range	± 500 g
Frequency Range (± 1 dB)	1-12,000 Hz
Resolution	10 mg rms
Resonant Frequency	~ 45 kHz
Transverse Sensitivity + Non Linearity	$\leq 5\%$ / $\leq 1\%$
Temperature Range	$-40 \sim +121$ °C
Excitation Voltage	$+18 \sim +28$ VDC
Excitation Current	2 to $+10$ mA
Sensing Element	Ceramic/Shear
Output Impedance	< 100 Ω
Output Bias Voltage	11 ± 1.5 VDC
Housing Material	Stainless Steel
Size mm	As left figure
Weight	~ 5 g
Output Connector	M5 Side or 5-44 Top
Mounting	M3 (Female) or M3 (Male)



Accessories

- Certificate of inspection 1ea + 2M Coaxial shielded cable 1ea + M3 stud 1 ea M3 (Female) Mounting Type

25 Flinders Parade, North Lakes QLD 4509, AUSTRALIA
www.metromatics.com.au sales@metromatics.com.au



Metromatics
 ABN: 47 007 346 287

Remark		Brisbane: +61 7 3868 4255 Sydney: +61 2 9460 4355 Melbourne: +61 3 9872 4592 Adelaide: +61 8 8343 8516
--------	--	---