

Product Model: **MM211A Series**

Piezoelectric PE Accelerometer

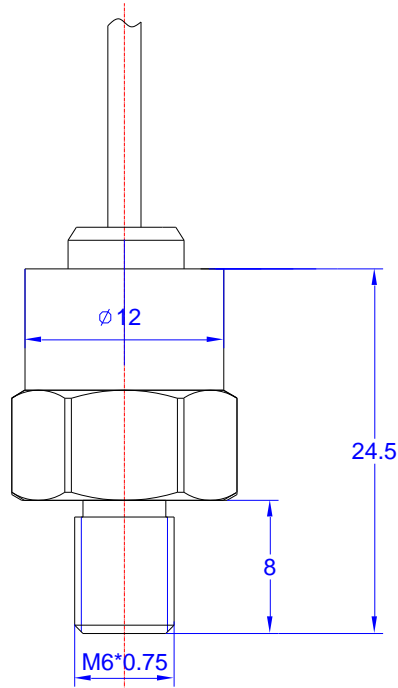
Version: A Date: 17/3/2022

Sensor Features:

Strong construction with Integral Cable
Uses a wide temperature coefficient ceramic material

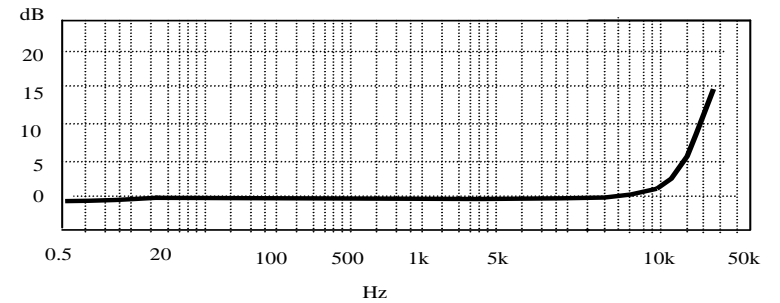
Uses:

High level mechanical shock and vibration measurement
Automotive Crash Tests

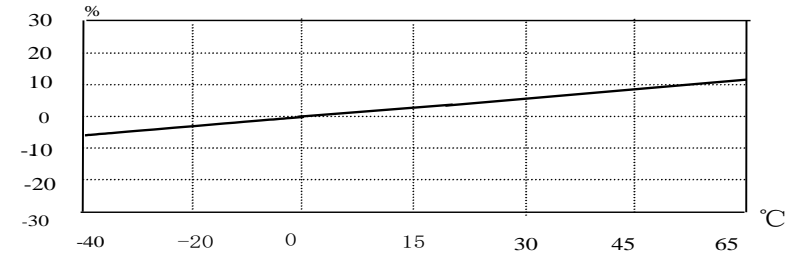


Model	MM211A-01
Sensitivity	1.25 pC/g
Measurement Range	±10,000 g
Transverse Sensitivity	-
Frequency Range (±1 dB)	10,000 Hz
Resonant Frequency	~40 kHz
Non-linearity	≤5%
Temperature Range	-40 ~ +65 °C
Insulation Resistance	≥10 ¹⁰ Ω
Sensing Element/Geometry	Ceramic/Shear
Size mm	As left figure
Weight	~10 g
Mounting	M6 x 0.75 (Male) Or M5 (Male)
Output Connector	Integral Cable
Housing Material	Titanium
Sealing	Welded

Frequency Response



Temperature Response



Metromatics

ABN: 47 007 346 287

Accessories

- 1M Integral Low Noise Cable 1 ea
- Certificate of inspection 1ea + Sensor to M5 plug (male)

Remark

25 Flinders Parade, North Lakes QLD 4509, AUSTRALIA
www.metromatics.com.au sales@metromatics.com.au
 Brisbane: +61 7 3868 4255 | Sydney: +61 2 9460 4355
 Melbourne: +61 3 9872 4592 | Adelaide: +61 8 8343 8516