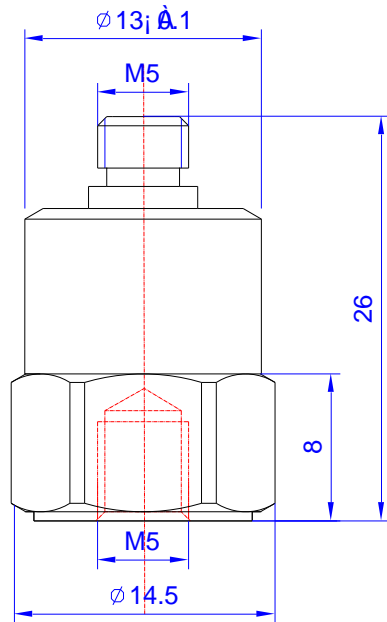


Product Model: **MM221A Series**

## Piezoelectric PE Accelerometer

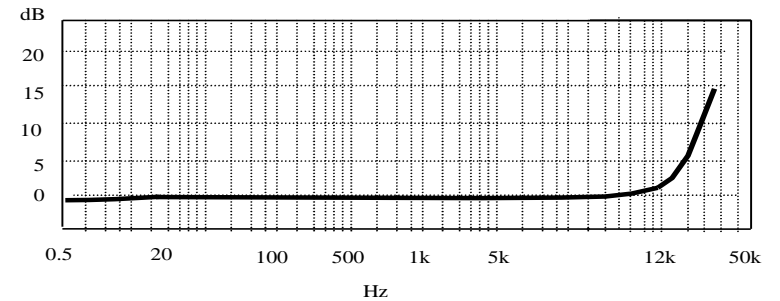
Version: A Date: 17/3/2022

Sensor Features:  
 Stable output in high and low temperatures  
 Uses a wide temperature coefficient ceramic material  
 Shear Design to reduce the influence of the environment on the signal

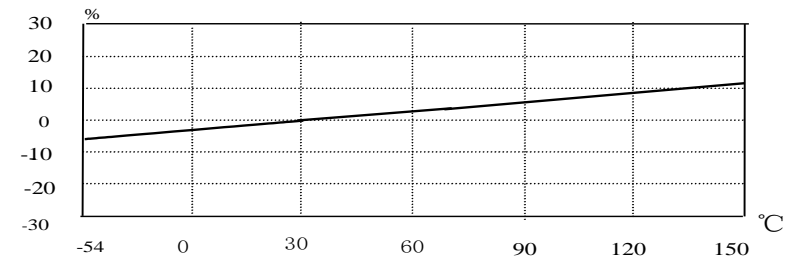


Model	MM221A-10
Sensitivity	10 pC/g
Measurement Range	$\pm 5,000$ g
Transverse Sensitivity	$\leq 5\%$
Frequency Range ( $\pm 1$ dB)	12,000 Hz
Resonant Frequency	$\sim 40$ kHz
Non-linearity	$\leq 1\%$
Temperature Range	-54 $\sim$ +150 $^{\circ}\text{C}$
Insulation Resistance	$\geq 10^{10}\Omega$
Sensing Element/Geometry	Ceramic/Shear
Size mm	As left figure
Weight	$\sim 9.5$ g
Mounting	M5 (Female)
Output Connector	M5 Top
Housing Material	Stainless Steel
Sealing	Epoxy Glue

Frequency Response



Temperature Response



**Metromatics**

ABN: 47 007 346 287

Accessories

- 2M Low Noise Cable 1 ea
- Certificate of inspection 1ea + M5 Stud 1ea

25 Flinders Parade, North Lakes QLD 4509, AUSTRALIA  
[www.metromatics.com.au](http://www.metromatics.com.au)      [sales@metromatics.com.au](mailto:sales@metromatics.com.au)  
 Brisbane: +61 7 3868 4255    |    Sydney: +61 2 9460 4355  
 Melbourne: +61 3 9872 4592    |    Adelaide: +61 8 8343 8516

Remark