

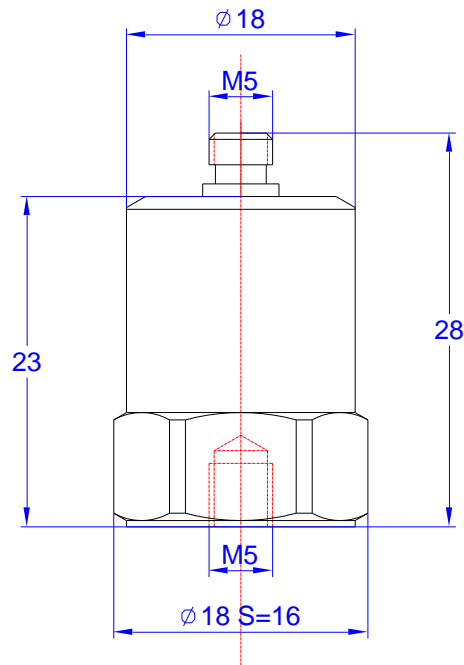
Product Model: **MM221A Series**

Piezoelectric PE Accelerometer

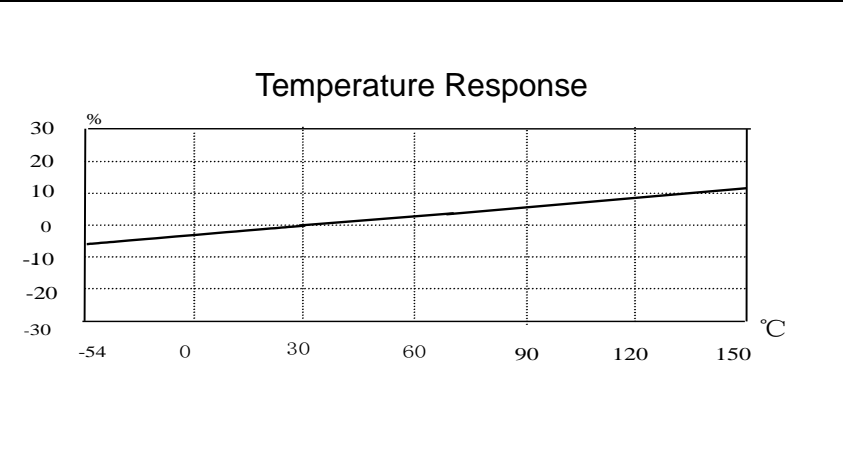
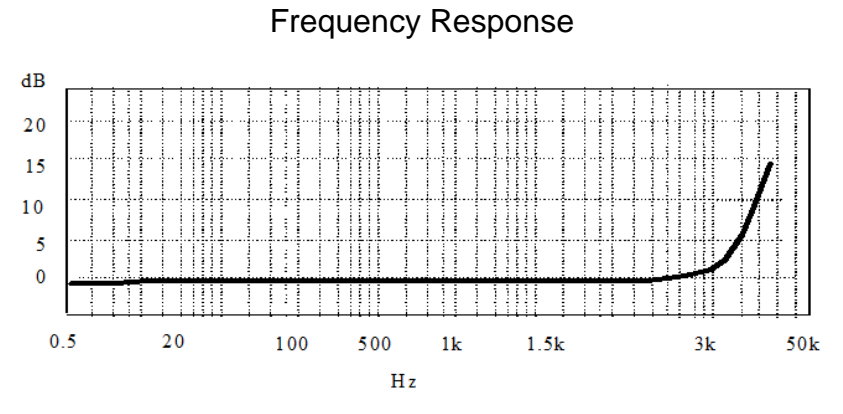
Version: A Date: 17/3/2022

Sensor Features:

Stable output in high and low temperatures
 Uses a wide temperature coefficient ceramic material
 Shear Design to reduce the influence of the environment on the signal



Model	MM221A-500
Sensitivity	500 pC/g
Measurement Range	±150 g
Transverse Sensitivity	≤5%
Frequency Range (±1 dB)	3,000 Hz
Resonant Frequency	~15 kHz
Non-linearity	≤1%
Temperature Range	-54 ~+150 °C
Insulation Resistance	≥10 ¹⁰ Ω
Sensing Element/Geometry	Ceramic/Shear
Size mm	As left figure
Weight	~40 g
Mounting	M5 (Female)
Output Connector	M5 Top
Housing Material	Stainless Steel
Sealing	Epoxy Glue



Metromatics

ABN: 47 007 346 287

Accessories	<ul style="list-style-type: none"> • 2M Low Noise Cable 1 ea • Certificate of inspection 1ea + M5 Stud 1ea
-------------	--

Remark	
--------	--

25 Flinders Parade, North Lakes QLD 4509, AUSTRALIA
www.metromatics.com.au sales@metromatics.com.au
 Brisbane: +61 7 3868 4255 I Sydney: +61 2 9460 4355
 Melbourne: +61 3 9872 4592 I Adelaide: +61 8 8343 8516