

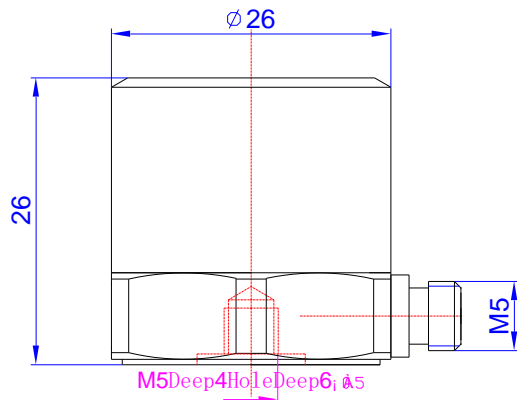
Product Model: **MM222A Series**

Piezoelectric PE Accelerometer

Version: A Date: 17/3/2022

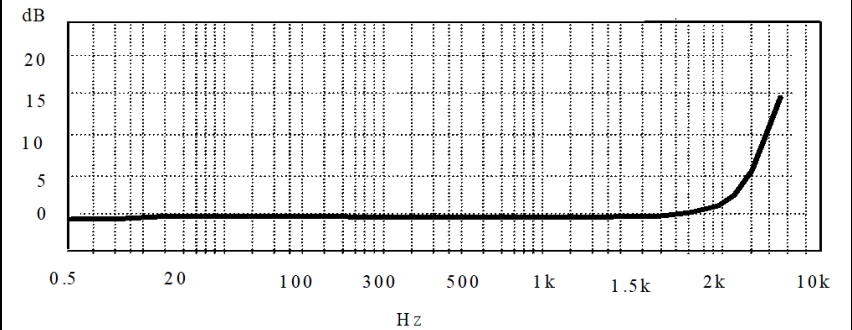
Sensor Features:

Stable output in high and low temperatures
 Uses a wide temperature coefficient ceramic material
 Shear Design to reduce the influence of the environment on the signal

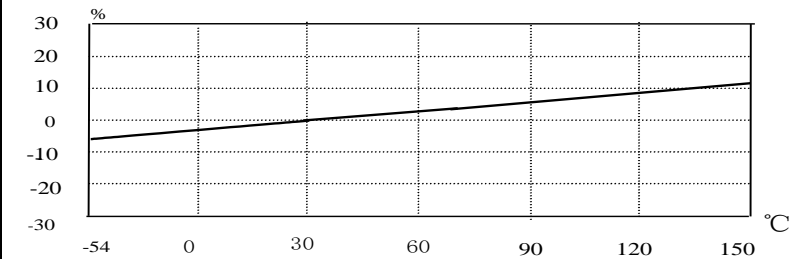


| Model | MM222A-1000 |
|--------------------------|---------------------|
| Sensitivity | 1,200 pC/g |
| Measurement Range | ±80 g |
| Transverse Sensitivity | ≤5% |
| Frequency Range (±1 dB) | 2,000 Hz |
| Resonant Frequency | ~10 kHz |
| Non-linearity | ≤1% |
| Temperature Range | -54 ~+150 °C |
| Insulation Resistance | ≥10 ¹⁰ Ω |
| Sensing Element/Geometry | Ceramic/Shear |
| Size mm | As left figure |
| Weight | ~115 g |
| Mounting | M5 (Female) |
| Output Connector | M5 Side |
| Housing Material | Stainless Steel |
| Sealing | Epoxy Glue |
| | |
| | |

Frequency Response



Temperature Response



Metromatics

ABN: 47 007 346 287

Accessories

- 2M Low Noise Cable 1 ea
- Certificate of inspection 1ea + M5 Stud 1ea

25 Flinders Parade, North Lakes QLD 4509, AUSTRALIA
www.metromatics.com.au sales@metromatics.com.au
 Brisbane: +61 7 3868 4255 | Sydney: +61 2 9460 4355
 Melbourne: +61 3 9872 4592 | Adelaide: +61 8 8343 8516

Remark