

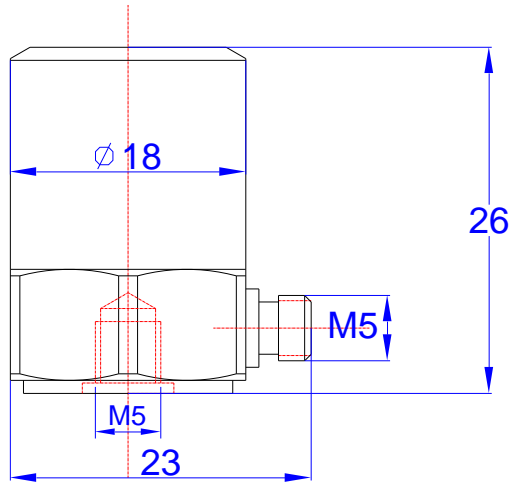
Product Model: **MM222A Series**

## Piezoelectric PE Accelerometer

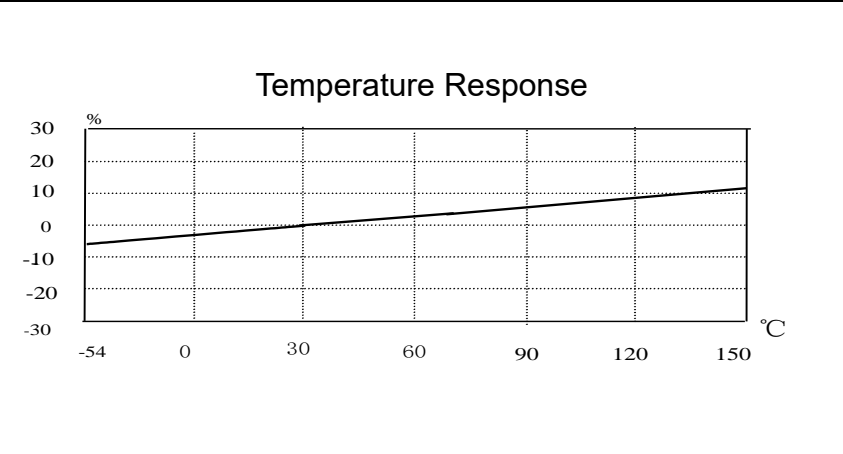
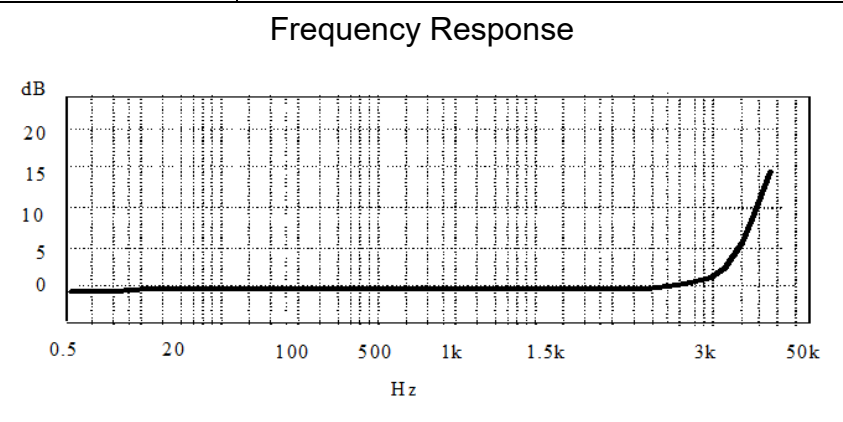
Version: A Date: 17/3/2022

**Sensor Features:**

Stable output in high and low temperatures  
 Uses a wide temperature coefficient ceramic material  
 Shear Design to reduce the influence of the environment on the signal



Model	MM222A-500
Sensitivity	500 pC/g
Measurement Range	±150 g
Transverse Sensitivity	≤5%
Frequency Range (±1 dB)	3,000 Hz
Resonant Frequency	~15 kHz
Non-linearity	≤1%
Temperature Range	-54 ~ +150 °C
Insulation Resistance	≥10 <sup>10</sup> Ω
Sensing Element/Geometry	Ceramic/Shear
Size mm	As left figure
Weight	~57 g
Mounting	M5 (Female)
Output Connector	M5 Side
Housing Material	Stainless Steel
Sealing	Epoxy Glue



**Metromatics**  
 ABN: 47 007 346 287

Accessories	<ul style="list-style-type: none"> <li>• 2M Low Noise Cable 1 ea</li> <li>• Certificate of inspection 1ea + M5 Stud 1ea</li> </ul>
-------------	--

Remark

25 Flinders Parade, North Lakes QLD 4509, AUSTRALIA  
[www.metromatics.com.au](http://www.metromatics.com.au)      [sales@metromatics.com.au](mailto:sales@metromatics.com.au)  
 Brisbane: +61 7 3868 4255    |    Sydney: +61 2 9460 4355  
 Melbourne: +61 3 9872 4592    |    Adelaide: +61 8 8343 8516