

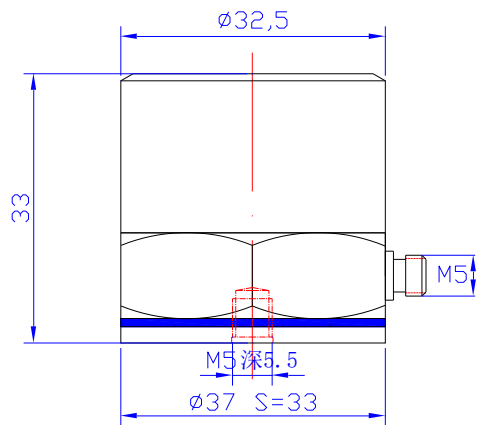
Product Model: **MM232A Series**

High Sensitivity Accelerometer with Low Level Vibration

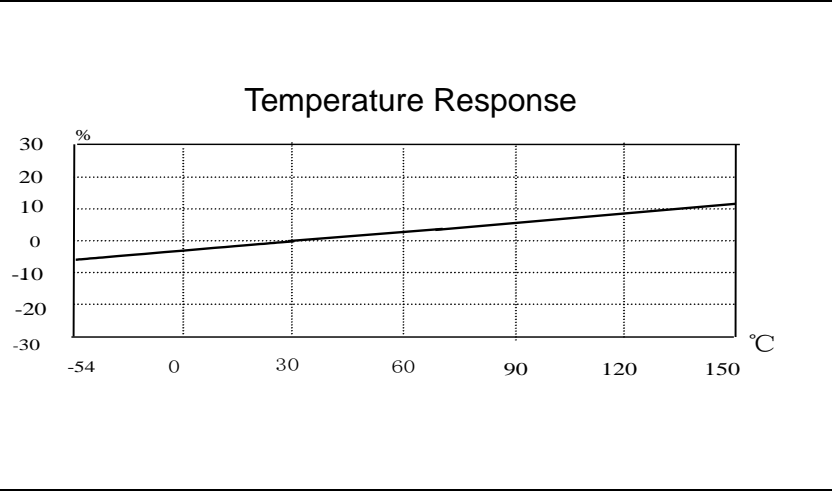
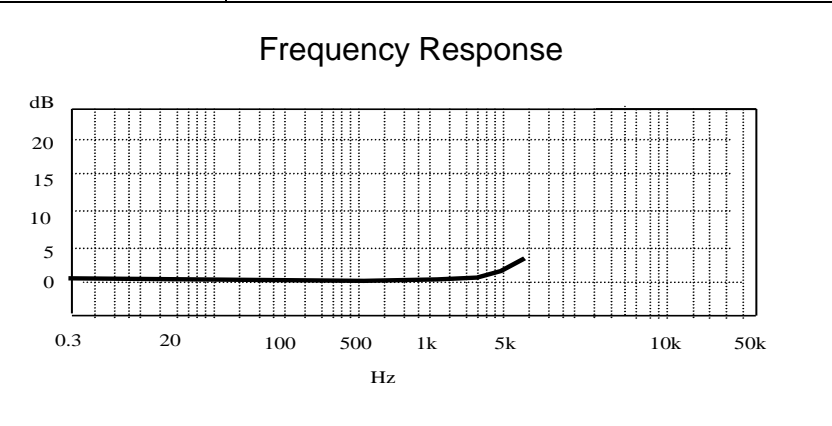

Version: A Date: 17/3/2022

Sensor Features:

Stable output in high and low temperatures
 Uses a wide temperature coefficient ceramic material
 Shear Design to reduce the influence of the environment on the signal



Model	MM232A-01
Sensitivity	1,000 pC/g
Measurement Range	± 100 g
Transverse Sensitivity	$\leq 5\%$
Frequency Range (± 1 dB)	2,000 Hz
Resonant Frequency	~ 5 kHz
Non-linearity	$\leq 1\%$
Temperature Range	-54 \sim +150 $^{\circ}\text{C}$
Insulation Resistance	$\geq 10^9 \Omega$
Sensing Element/Geometry	Ceramic/Shear
Size mm	As left figure
Weight	~ 180 g
Mounting	M5 (Female)
Output Connector	M5 Side
Housing Material	Stainless Steel
Sealing	Welded

Metromatics
 ABN: 47 007 346 287

Accessories	<ul style="list-style-type: none"> • 2M Low Noise High Temperature Cable 1 ea • Certificate of inspection 1ea + M5 Stud 1ea
Remark	

25 Flinders Parade, North Lakes QLD 4509, AUSTRALIA
www.metromatics.com.au sales@metromatics.com.au
 Brisbane: +61 7 3868 4255 I Sydney: +61 2 9460 4355
 Melbourne: +61 3 9872 4592 I Adelaide: +61 8 8343 8516