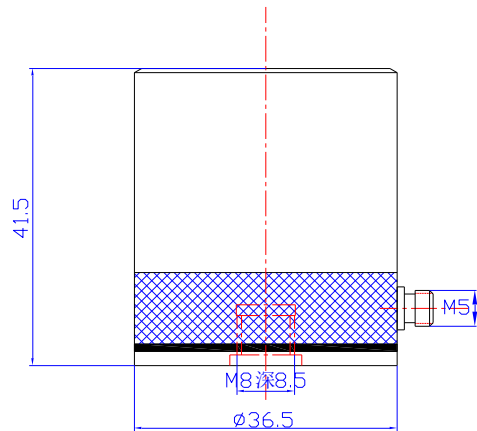


Product Model: **MM232A Series**

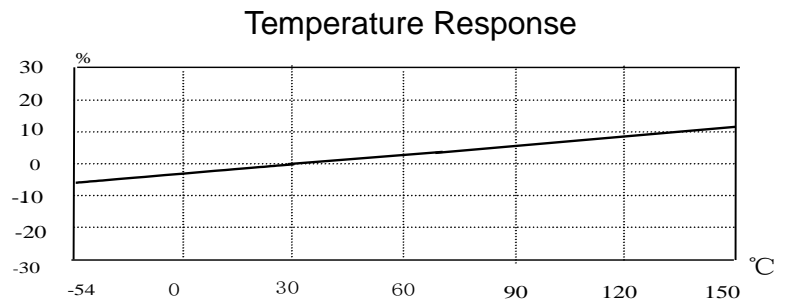
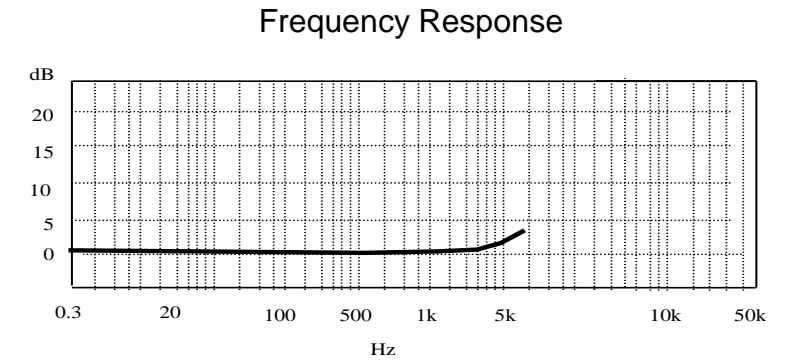
High Sensitivity Accelerometer with Low Level Vibration

Version: A Date: 17/3/2022

Sensor Features:
 Stable output in high and low temperatures
 Uses a wide temperature coefficient ceramic material
 Shear Design to reduce the influence of the environment on the signal



Model	MM232A-10
Sensitivity	10,000 pC/g
Measurement Range	±10 g
Transverse Sensitivity	≤5%
Frequency Range (±1 dB)	500 Hz
Resonant Frequency	~5 kHz
Non-linearity	≤1%
Temperature Range	-54 ~ +150 °C
Insulation Resistance	≥10 ⁹ Ω
Sensing Element/Geometry	Ceramic/Shear
Size mm	As left figure
Weight	~280 g
Mounting	M8 (Female)
Output Connector	M5 Side
Housing Material	Stainless Steel
Sealing	Welded



Metromatics

ABN: 47 007 346 287

Accessories

- 2M Low Noise High Temperature Cable 1 ea
- Certificate of inspection 1ea + M8 Stud 1ea

Remark

25 Flinders Parade, North Lakes QLD 4509, AUSTRALIA
www.metromatics.com.au sales@metromatics.com.au
 Brisbane: +61 7 3868 4255 | Sydney: +61 2 9460 4355
 Melbourne: +61 3 9872 4592 | Adelaide: +61 8 8343 8516