

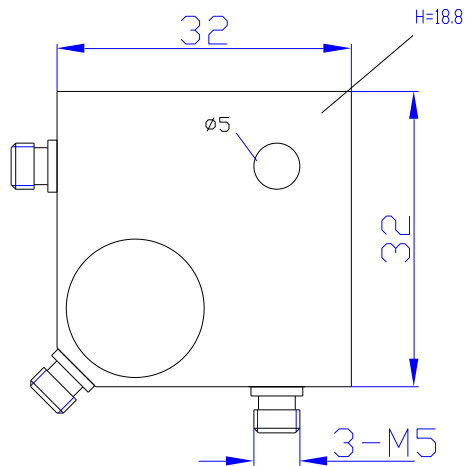
Product Model: **MM245A Series**

## General Purpose Triaxial PE Accelerometer

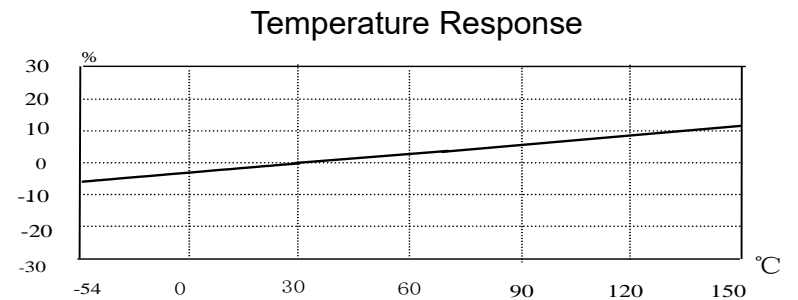
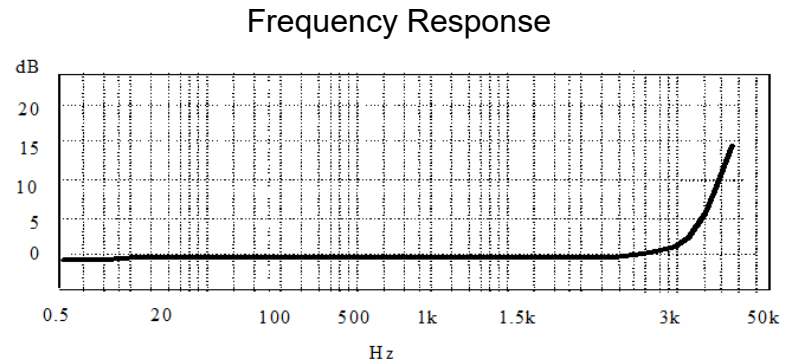
Version: A Date: 17/3/2022

**Sensor Features:**

Stable output in high and low temperatures  
 Uses a wide temperature coefficient ceramic material  
 Shear Design to reduce the influence of the environment on the signal



Model	MM245A-100
Sensitivity ( $\pm 10\%$ )	100 pC/g
Measurement Range	$\pm 1,000$ g
Transverse Sensitivity	$\leq 5\%$
Frequency Range ( $\pm 1$ dB)	3,000 Hz
Resonant Frequency	$\sim 8$ kHz
Non-linearity	$\leq 1\%$
Temperature Range	-54 $\sim$ +150 $^{\circ}\text{C}$
Insulation Resistance	$\geq 10^{10}\Omega$
Sensing Element/Geometry	Ceramic/Shear
Size mm	As left figure
Weight	$\sim 44$ g
Mounting	$\Phi 5$ (Thru-hole)/M6(Z axial) (2) M5(Female)(X,Y axial)
Output Connector	(3) M5
Housing Material	Titanium
Sealing	Epoxy Glue



**Metromatics**

ABN: 47 007 346 287

**Accessories**

- 2M Low Noise Cable 3 ea
- Certificate of inspection 1ea + M5 Screw 1 ea + M5 Stud 2 ea

**Remark**

25 Flinders Parade, North Lakes QLD 4509, AUSTRALIA  
[www.metromatics.com.au](http://www.metromatics.com.au)      [sales@metromatics.com.au](mailto:sales@metromatics.com.au)  
 Brisbane: +61 7 3868 4255    I    Sydney: +61 2 9460 4355  
 Melbourne: +61 3 9872 4592    I    Adelaide: +61 8 8343 8516