

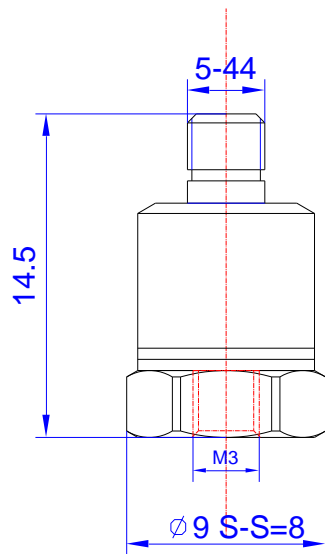
Product Model: **MM263A Series**

## Miniature Single Axis IEPE Accelerometer

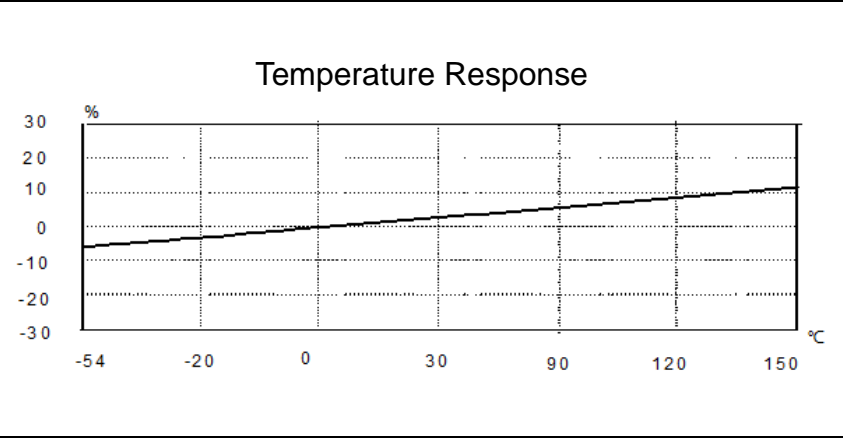
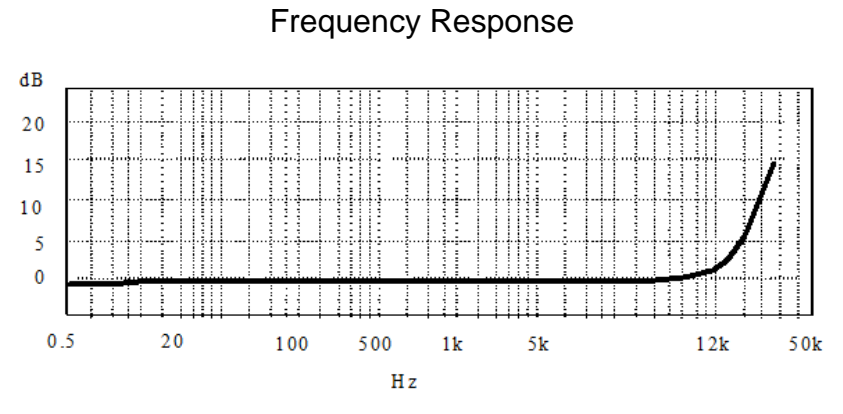
Version: A Date: 17/3/2022

**Sensor Features:**

- Ceramic material with wide temperature coefficient
- Stable output in high and low temperatures
- Shear design to reduce the influence of the environment on the signal



| Model                         | MM263A-03               |
|-------------------------------|-------------------------|
| Sensitivity ( $\pm 10\%$ )    | 3.5 pC/g                |
| Measurement Range             | $\pm 3,000$ g           |
| Frequency Range ( $\pm 1$ dB) | 12,000 Hz               |
| Transverse Sensitivity        | $\leq 5\%$              |
| Resonant Frequency            | $\sim 45$ kHz           |
| Non Linearity                 | $\leq 1\%$              |
| Temperature Range             | -54 $\sim$ +150 °C      |
| Insulation Resistance         | $\geq 10^{10}\Omega$    |
| Housing Material              | Stainless Steel         |
| Sensing Element               | Ceramic/Shear           |
| Size mm                       | As left figure          |
| Weight                        | $\sim 5$ g              |
| Mounting                      | M3 (Female) or Adhesive |
| Output Connector              | M5 or M-44 Side         |



**Metromatics**

ABN: 47 007 346 287

Accessories

- Certificate of inspection 1ea + 2M Low Noise cable 1ea + M3/M5 Stud 1ea M3 (Female) Mounting Type

25 Flinders Parade, North Lakes QLD 4509, AUSTRALIA

www.metromatics.com.au sales@metromatics.com.au

Brisbane: +61 7 3868 4255 | Sydney: +61 2 9460 4355

Melbourne: +61 3 9872 4592 | Adelaide: +61 8 8343 8516

Remark