

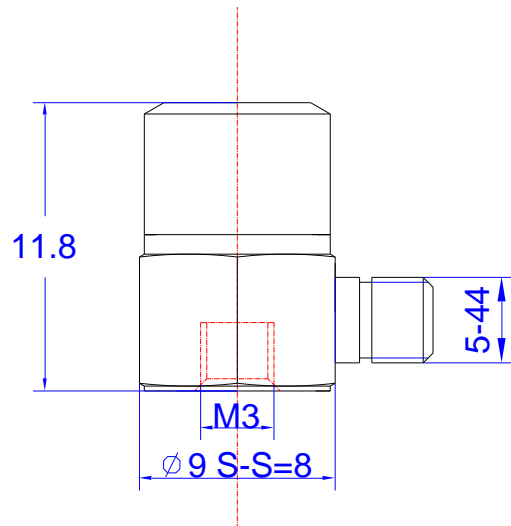
Product Model: **MM264A Series**

## Miniature Single Axis IEPE Accelerometer

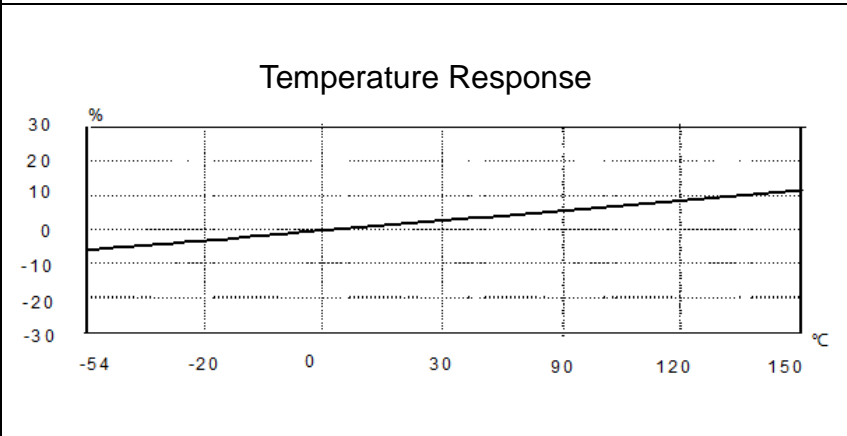
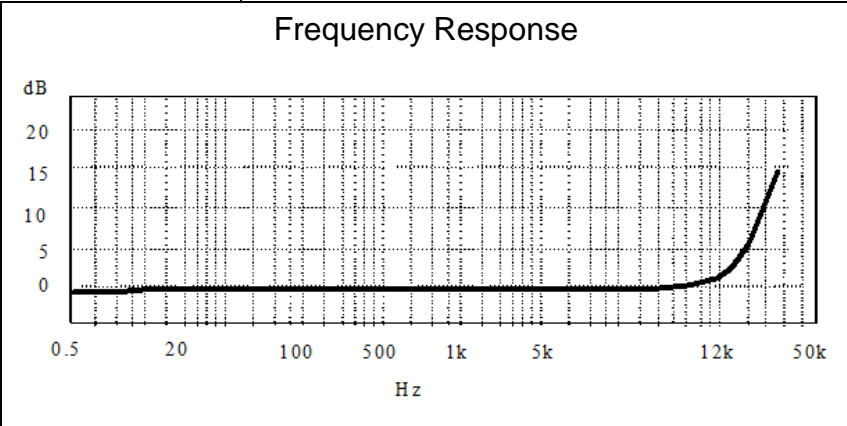
Version: A Date: 17/3/2022

**Sensor Features:**

- Ceramic material with wide temperature coefficient
- Stable output in high and low temperatures
- Shear design to reduce the influence of the environment on the signal



Model	MM264A-03
Sensitivity ( $\pm 10\%$ )	3.0 pC/g
Measurement Range	$\pm 3,000$ g
Frequency Range ( $\pm 1$ dB)	12,000 Hz
Transverse Sensitivity	$\leq 5\%$
Resonant Frequency	$\sim 45$ kHz
Non Linearity	$\leq 1\%$
Temperature Range	-54 $\sim$ +150 °C
Insulation Resistance	$\geq 10^{10}\Omega$
Housing Material	Stainless Steel
Sensing Element	Ceramic/Shear
Size mm	As left figure
Weight	$\sim 5$ g
Mounting	M3 (Female) or Adhesive
Output Connector	M3 or 5-44 Side



**Metromatics**

ABN: 47 007 346 287

Accessories

- Certificate of inspection 1ea + 2M Low Noise cable 1ea + M3/M5 Stud 1ea M3 (Female) Mounting Type

25 Flinders Parade, North Lakes QLD 4509, AUSTRALIA

[www.metromatics.com.au](http://www.metromatics.com.au)

[sales@metromatics.com.au](mailto:sales@metromatics.com.au)

Brisbane: +61 7 3868 4255

I Sydney: +61 2 9460 4355

Melbourne: +61 3 9872 4592

I Adelaide: +61 8 8343 8516

Remark