

Product Model: **MM141A Series**

Miniature Triaxial IEPE Accelerometer

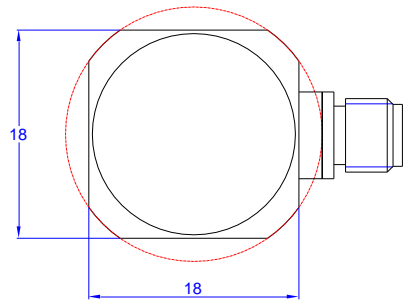
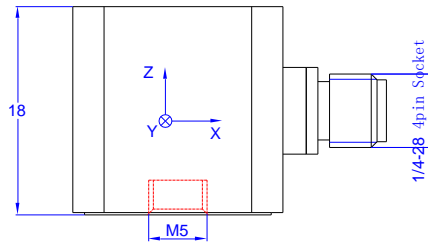
Version: A Date: 17/3/2022

Sensor Feature:

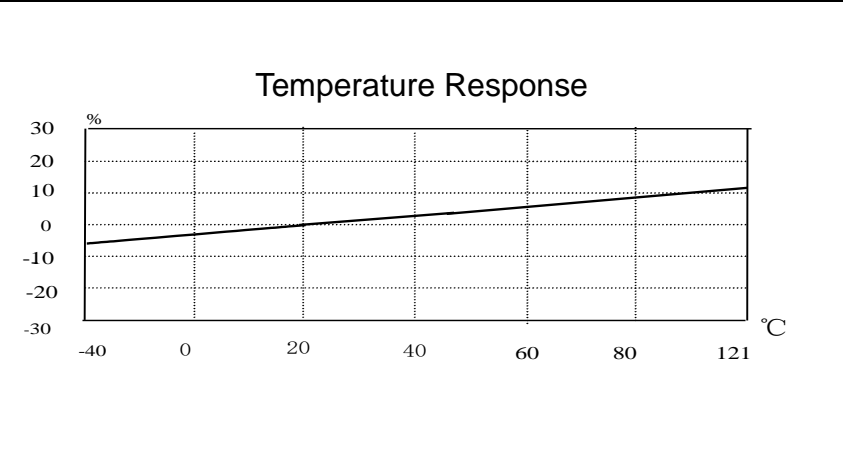
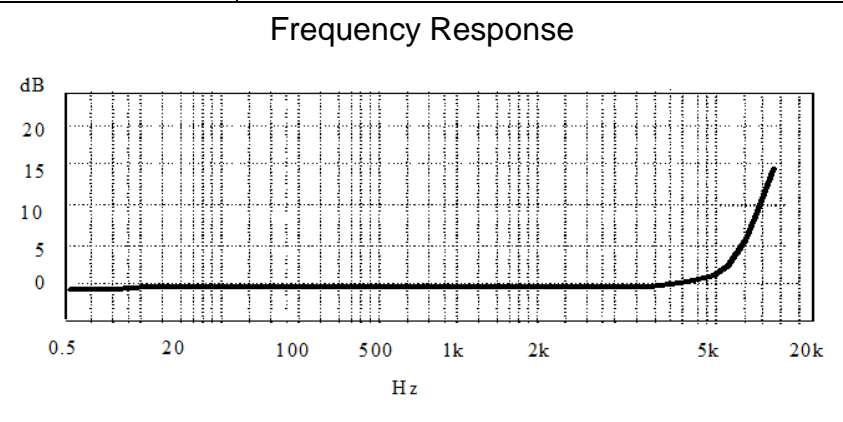
Shear design to reduce the influence of the environment on the signal

Using wide temperature coefficient ceramic material

Small size



Model	MM141A-200
Sensitivity ($\pm 10\%$)	200 mV/g
Measurement Range	± 25 g
Resolution	0.5 mg rms
Frequency Range (± 1 dB)	0.5-2,000 Hz
Resonant Frequency	~ 25 kHz
Transverse Sensitivity	$\leq 5\%$
Temperature Range	-40 \sim +121 $^{\circ}$ C
Overload Limit (Shock)	± 500 g
Excitation Voltage	+18-+28 VDC
Excitation Current	2 - 10 mA
Output Impedance	$< 100 \Omega$
Output Bias Voltage	11 \pm 1.5 VDC
Sensing Element/Geometry	Ceramic/Shear
Size mm	18 x 18 x 18
Weight	~ 35 g
Mounting	M5 (female)
Housing Material	Stainless Steel



Accessories

- 5 Metre C008 4pin shielded cable (1/4-28 to 3 BNC) x 1ea
- Certificate of inspection 1ea + M5 Stud 1ea

Remark

Output Connector – 4 pin 1/4-28



Metromatics
 ABN: 47 007 346 287

25 Flinders Parade, North Lakes QLD 4509, AUSTRALIA
www.metromatics.com.au sales@metromatics.com.au
 Brisbane: +61 7 3868 4255 | Sydney: +61 2 9460 4355
 Melbourne: +61 3 9872 4592 | Adelaide: +61 8 8343 8516