

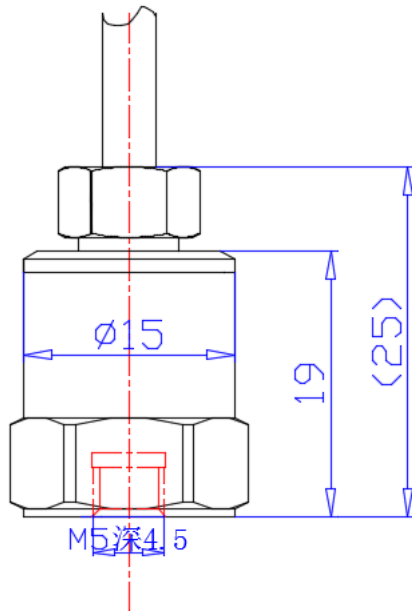
Product Model: **MM273A series**

Piezoelectric PE Water-proof Accelerometer

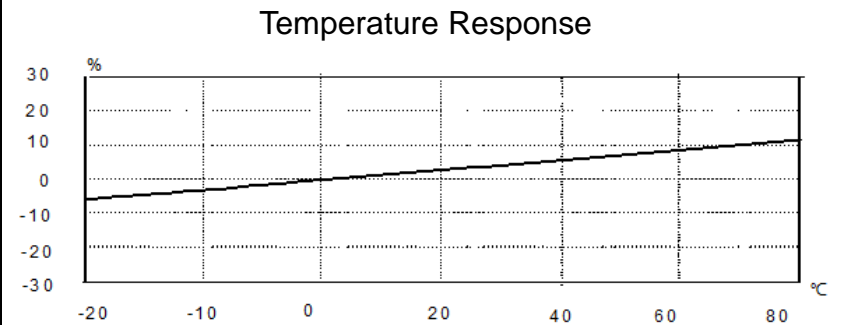
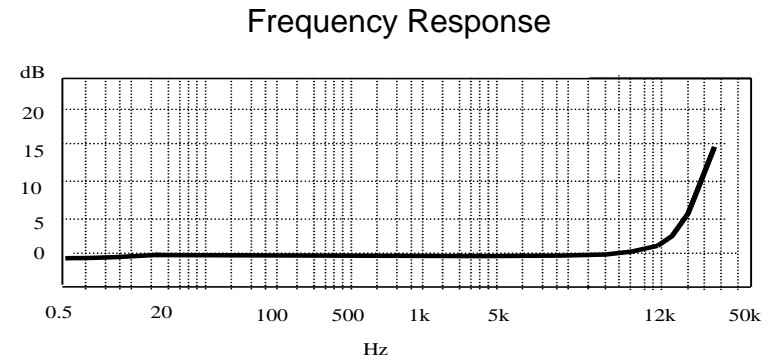
Version: **A** Date: **2022-8-17**

Sensor Feature:

- Shear design to reduce the influence of the environment on the signal
- Using wide temperature coefficient ceramic material
- Stable output in high and low temperature



Performance	MM273A-10
Sensitivity ($\pm 10\%$)	10 pC/g
Measurement Range	± 2000 g
Frequency Range (± 1 dB)	10,000 Hz
Resonant Frequency	~ 35 kHz
Non-linearity	$\leq 1\%$
Transverse Sensitivity	$\leq 5\%$
Temperature Range	$-20 \sim +80$ °C
Insulation Resistance	$\geq 10^9 \Omega$
Case Isolation	$\geq 100M\Omega$
Sensing Element/Geometry	Ceramic/Shear
Size mm	As left figure
Weight	~ 16 g
Mounting	M5(Female)
Output Connector	Water-proof Integral Cable
Housing Material	316L Stainless Steel
Sealing	Welded
Enclosure Rating	IP68



Metromatics

ABN: 47 007 346 287

Accessories

- Water-proof low noise integral cable 1ea 2m
- Certificate of inspection 1ea
- M5 stud 1ea

Remark

25 Flinders Parade, North Lakes QLD 4509, AUSTRALIA
www.metromatics.com.au sales@metromatics.com.au
 Brisbane: +61 7 3868 4255 I Sydney: +61 2 9460 4355
 Melbourne: +61 3 9872 4592 I Adelaide: +61 8 8343 8516

