

LNP-0800G Series

8-Port Industrial PoE+ Gigabit Unmanaged Ethernet Switch, with 8*10/100/1000T (30W/Port), 48~55VDC Power Input



FEATURES

- ▶ Supports 8*10/100/1000T IEEE 802.3af/at Compliant with 30W/Port
- ▶ Supports 9.6Kbytes Jumbo Frame
- ▶ Supports Auto MDI/MDI-X Function
- ▶ Store-and-Forward Switching Architecture
- ▶ Power Input: 48~55VDC in 6-Pin Terminal Block
- ▶ Built-in 1 Relay Output for Power Failure Warning
- ▶ IP30 Rugged Metal Case Design
- ▶ DIN-Rail and Wall Mount Support
- ▶ Operating Temperature - STD: -10°C to 65°C, EOT: -40°C to 75°C
- ▶ 5-Year Warranty

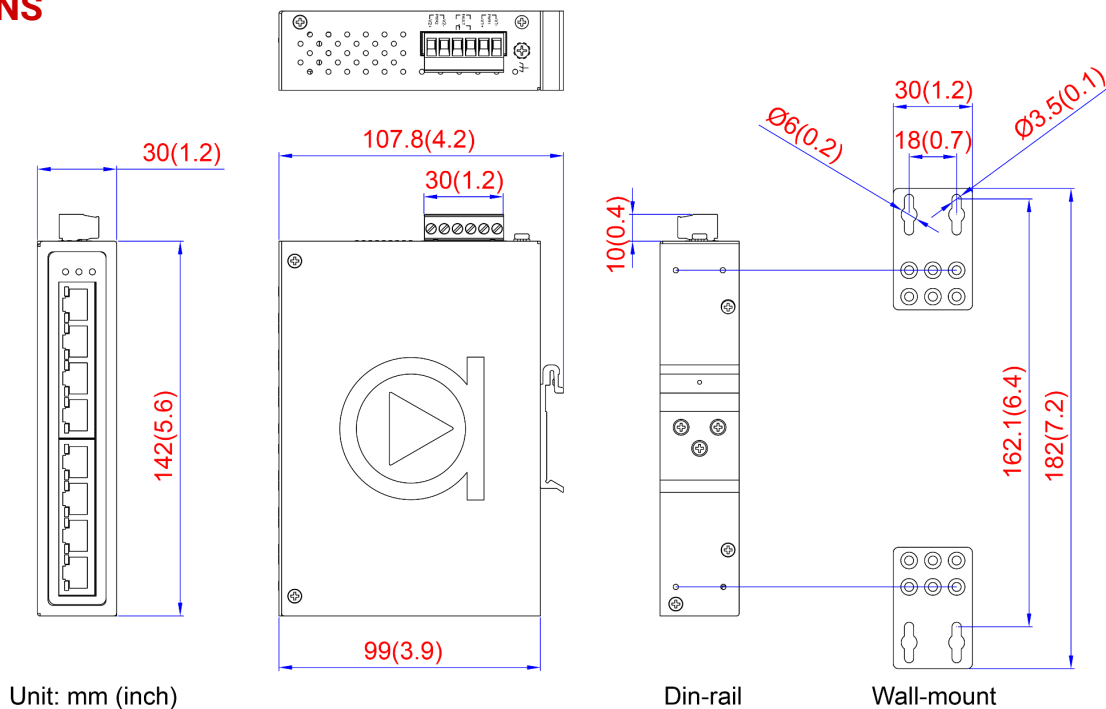


INTRODUCTION

Antaira Technologies' LNP-0800G Series is an 8-port industrial PoE+ gigabit unmanaged Ethernet switch that supports 8*10/100/1000T Ethernet ports. The LNP-0800G series is a backward compliant PoE+ switch that will support IEEE 802.3af/at standards providing a maximum of 30 watts per port with an input voltage of 48~55VDC.

Antaira's LNP-0800G Series has been specifically designed for rugged and harsh environmental deployments. This product series is housed in a hardened IP30-rated metal enclosure that includes DIN-rail and wall mounting hardware. There are two wide-operating temperature models for either a standard temperature range (STD: -10°C to 65°C) or an extended temperature range (EOT: -40°C to 75°C). The LNP-0800G Series also provides high EFT and ESD protection for any industrial networking application within factory automation, ITS (including on-vehicle), solar, security, or any other outdoor or harsh environment.

DIMENSIONS



SPECIFICATIONS

TECHNOLOGY

Standards	IEEE 802.3 10BASE-T Ethernet IEEE 802.3u 100BASE-TX Fast Ethernet IEEE 802.3ab 1000BASE-T Gigabit Ethernet IEEE 802.3af/at/bt Power over Ethernet
------------------	--

SWITCH PROPERTIES

Switch Architecture	Back-Plane (Switching Fabric): 16Gbps
Transfer Rate	14,880pps for Ethernet 148,800pps for Fast Ethernet 1,488,000pps for Gigabit Ethernet
Jumbo Frame	9.6Kbytes
MAC Table Size	8K
Memory Buffer	4Mbits

PORT INTERFACE

Ethernet Port	8*10/100/1000BASE-T (30W/Port) Auto-negotiation speed, Full/Half duplex mode, and Auto MDI/MDI-X connection
PoE Pin Out	V+, V+, V-, V-, for pin 1, 2, 3, 6 (End-span, MDI Alternative A)
LED Indicators	System: Power 1, Power 2, Fault Ethernet Ports: On-Link/Flash-data transmitting PoE: On-connected to PD devices
Network Cable	10BASE-T: 2-pair UTP/STP Cat. 3, 4, 5 cable EIA/TIA-568 100-ohm (100m) 100BASE-TX: 2-pair UTP/STP Cat. 5 cable EIA/TIA-568 100-ohm (100m) 1000BASE-T: 4-pair UTP/STP Cat. 5/5E cable; EIA/TIA-568 100-ohm (100m)

MECHANICAL CHARACTERISTICS

Housing	Metal, IP30 protection
Dimension	30 x 142 x 99 mm
Weight	Unit: 1.55 lbs. Shipping: 1.9 lbs.
Mounting	DIN-Rail mounting, Wall mounting

POWER REQUIREMENT

Input Voltage	48~55VDC Redundant Input
Power Connection	1 removable 6-contact terminal block
Relay Contact	24VDC, 1A resistive
Overload Current Protection	Present
Reverse Polarity Protection	Present
System Power Consumption	Max. 11W full loading
Max PoE Power Budget	240W

ENVIRONMENTAL LIMITS

Operating Temperature	STD: -10°C to 65°C EOT: -40°C to 75°C
Storage Temperature	-40°C ~ 85°C
Ambient Relative Humidity	5 to 95%, (non-condensing)

REGULATORY APPROVALS

EMI	FCC Part 15 Subpart B Class A, CE EN55032/EN61000-6-4 Class A
EMS	CE EN55035/EN61000-6-2, IEC61000-4-2,3,4,5,6,8
Free Fall	IEC60068-2-32
Shock	IEC60068-2-27
Vibration	IEC60068-2-6
Green	RoHS Compliant
Certifications	FCC, CE, UL 61010-1, UL 61010-2-201 UL Class 1 Division 2, ISA 12.12.01
Warranty	5 Years

ORDERING INFORMATION

LNP-0800G	8-Port Industrial PoE+ Gigabit Unmanaged Ethernet Switch, with 8*10/100/1000T (30W/Port), 48~55VDC Power Input
LNP-0800G-T	8-Port Industrial PoE+ Gigabit Unmanaged Ethernet Switch, with 8*10/100/1000T (30W/Port), 48~55VDC Power Input; EOT: -40°C to 75°C