

LNX-C501G-SFP Series

5-Port Industrial Compact Gigabit Unmanaged Ethernet Switch, 4*10/100/1000TX and 1*100/1000 SFP Slot



FEATURES

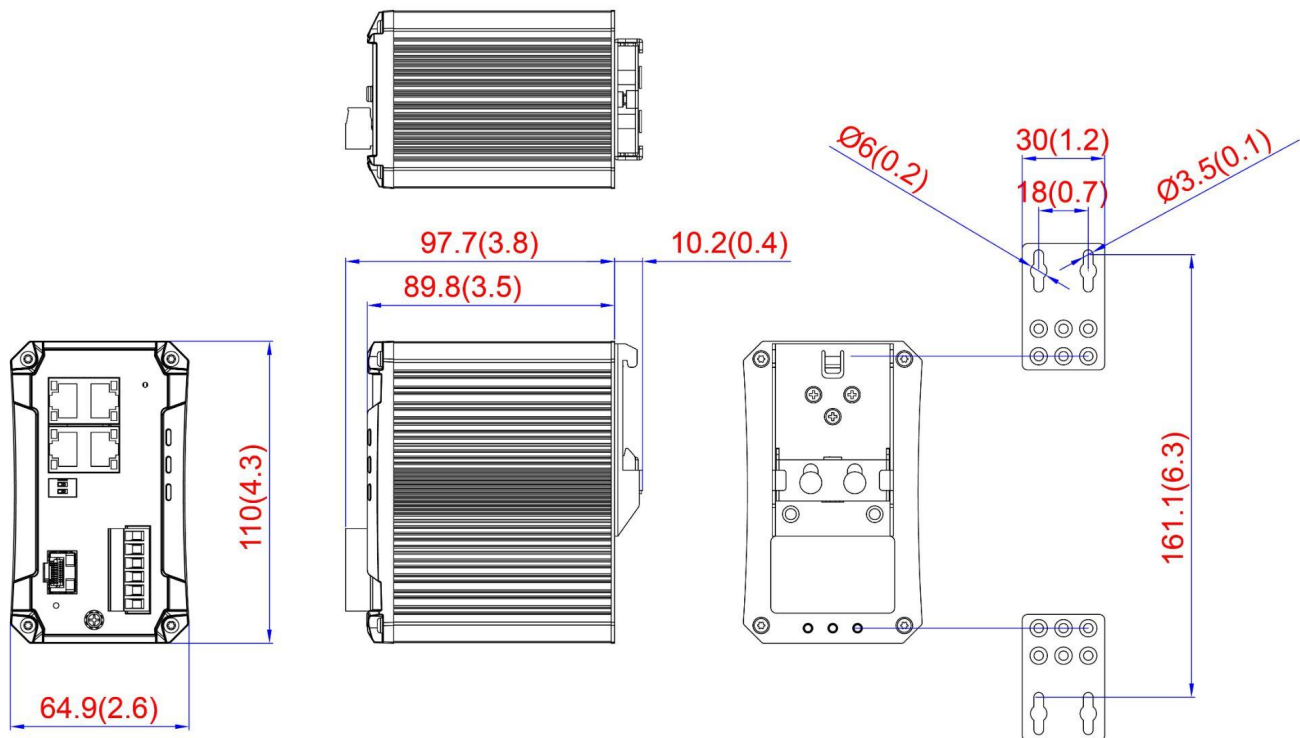
- ▶ Support 4*10/100/1000Tx and 1*100/1000 SFP Slot
- ▶ Adjustable SFP Speed with DIP-Switch Setting
- ▶ Store-and-Forward Switching Architecture
- ▶ Dual Power Input 12~48VDC in 6-Pin Terminal Block
- ▶ Support Power Inputs Reverse Polarity Protection
- ▶ IP40 Protection
- ▶ DIN-Rail or Wall Mountable
- ▶ Operating Temperature - STD: -10°C to 65°C, EOT: -40°C to 75°C
- ▶ 5-Year Warranty



INTRODUCTION

Antaira Technologies' LNX-C501G-SFP Series is a 5-port industrial compact Gigabit unmanaged Ethernet switch embedded with 4*10/100/1000Tx Ethernet ports and 1*100/1000 dual rate SFP slot for fiber connection. The LNX-C501G-SFP series is IP40 rated and DIN-rail mountable. There are also two wide-operating temperature models for either a standard temperature range (STD: -10°C to 65°C) or an extended temperature range (EOT: -40°C to 75°C). It also provides high EFT and ESD protection for industrial networking applications, such as power/utility, water wastewater, oil/gas/mining, factory automation, security surveillance, ITS, and any other outdoor or harsh environment.

DIMENSIONS



Unit: mm (inch)

Din-rail

Wall-mount

SPECIFICATIONS

TECHNOLOGY

Standards	IEEE 802.3 10Base-T Ethernet IEEE 802.3u 100Base-TX Fast Ethernet IEEE 802.3ab 1000Base-T Gigabit Ethernet IEEE 802.3z 1000Base-X Gigabit Fiber
------------------	--

SWITCH PROPERTIES

Switch Architecture	Switching Fabric (Back-Plane): 10Gbps
Processing Type	Store and Forward
Flow Control	IEEE 802.3x flow control, back pressure flow control
Protocol	CSMA/CD
Transfer Rate	14,880pps for Ethernet 148,800pps for Fast Ethernet 1,488,000pps for Gigabit Ethernet
MAC Table Size	8K
Jumbo Frame	10Kbytes
Memory Buffer	1Mbit

PORT INTERFACE

Ethernet Port	4*10/100/1000Base-TX, auto negotiation speed, Full/Half duplex mode, and auto MDI/MDI-X connection
SFP Port	1*100/1000 SFP Slot
LED Indicators	System: Power 1, Power 2, Fault Ethernet ports: Speed/Link/Active SFP: Speed/Link/Active
DIP Switch	SFP Speed (1000Mbps/100Mbps)
Network Cable	10BaseT: 2-pair UTP/STP Cat. 3, 4, 5 cable EIA/TIA-568 100-ohm (100m) 100BaseTX: 2-pair UTP/STP Cat. 5 cable EIA/TIA-568 100-ohm (100m) 1000BaseTX: UTP/STP Cat. 5/5E cable; EIA/TIA-568 100-ohm (100m)

MECHANICAL CHARACTERISTICS

Housing	Metal, IP40 protection
Dimension	64.9 x 110 x 89.8 mm (W x H x D)
Weight	Unit: 1.83 lb Shipping: 2.37 lb
Mounting	DIN-Rail mounting, Wall mounting

POWER REQUIREMENT

Input Voltage	12~48VDC Redundant Input
Power Connection	1 removable 6-contact terminal block
Relay Contact	24VDC, 1A resistive
Overload Current Protection	Present (Slow-Blown Fuse)
Reverse Polarity Protection	Present
System Power Consumption	4.6 Watts

ENVIRONMENTAL LIMITS

Operating Temperature	STD: -10°C to 65°C EOT: -40°C to 75°C
Storage Temperature	-40°C ~ 85°C
Ambient Relative Humidity	5 to 95%, (non-condensing)

REGULATORY APPROVALS

EMI	FCC Part 15 Subpart B Class A, CE EN55032/EN61000-6-4 Class A
EMS	CE EN55035/EN61000-6-2, IEC61000-4-2,3,4,5,6,8
Certifications	FCC, CE, UL 61010-1, UL 61010-2-201
Warranty	5 Years

ORDERING INFORMATION

LNX-C501G-SFP	5-Port Compact Industrial Gigabit Unmanaged Ethernet Switch, 4*10/100/1000TX and 1*100/1000 SFP Slot
LNX-C501G-SFP-T	5-Port Compact Industrial Gigabit Unmanaged Ethernet Switch, 4*10/100/1000TX and 1*100/1000 SFP Slot; EOT: -40°C to 75°C

TO LEARN MORE - CONTACT:



Metromatics

sales@metromatics.com.au | www.metromatics.com.au

Brisbane 07 3868 4255 | Melbourne 03 9872 4592 | Sydney 02 9460 4355