

# LEP-401M-KIT

Industrial IP30 Ethernet Extender, 800 meters, 10/100Mbps Ethernet PoE Extender (1 Pair: LEP-401M-L and LEP-401M-R)



## FEATURES

- ▶ Supports Standard IEEE 802.3af/at or Passive PoE Devices
- ▶ Provide IEEE 802.3af/at for the Remote PD (Powered Device)
- ▶ Support MDI/MDI-X Auto-Crossover
- ▶ Support Auto-Negotiation
- ▶ DC Power Supply Input (55~57V) (Local End)
- ▶ Support Auto & Manual Mode Configuration for the Ethernet Port
- ▶ IP30 Protection
- ▶ Wall Mountable
- ▶ Operating Temperature Range: -40°C to 75°C
- ▶ 5-Year Warranty



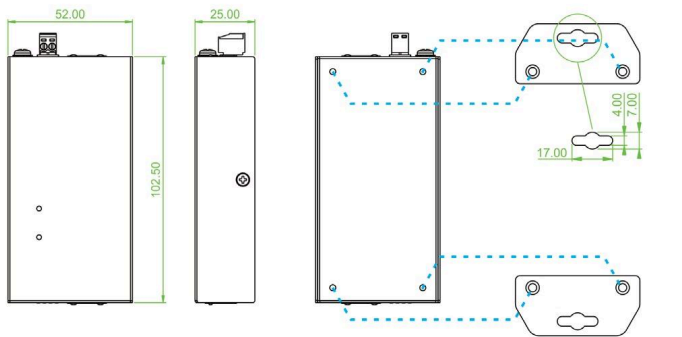
## INTRODUCTION

Antaira Technologies' LEP-401M-KIT contains both LEP-401M-L and LEP-401M-R. The former is a long reach transceiver with one Ethernet port and one PoE Long Reach injector port, and the latter is a long reach receiver with one PoE Long Reach Extender port and one PoE PSE Ethernet port.

LEP-401M-KIT is greatly beyond the 100 meters distance limitation of RJ45 cable. Up to 800 meters the data and power can be transmitted simultaneously over the UTP cable. This kit is fully compliant with IEEE 802.3, 802.3u, 802.3af/at standards. Operation status can be locally monitored through a set of diagnostic LEDs located in the front and rear panels.

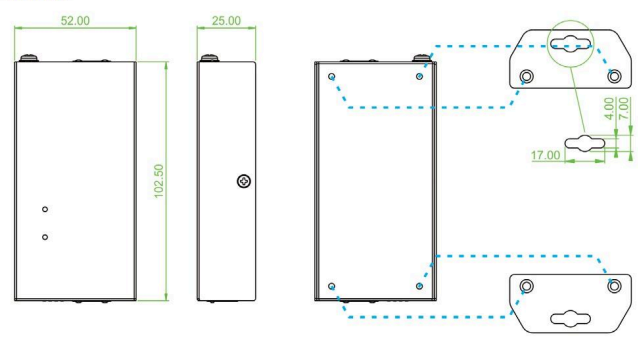
## DIMENSIONS

LEP-401M-L



Front View    Side View    Rear View    Wall-Mount Kit View

LEP-401M-R



Front View    Side View    Rear View    Wall-Mount Kit View

## SPECIFICATIONS

### TECHNOLOGY

<b>Standards</b>	IEEE 802.3 10Base-T Ethernet IEEE 802.3u 100Base-TX Fast Ethernet IEEE 802.3af/at Power over Ethernet
------------------	---

### SWITCH PROPERTIES

<b>Switch Architecture</b>	Store-and-Forward
<b>DIP Switch</b>	<p><b>LEP-401M-L</b> 1: Power over line- ON: Disable; OFF: Enable 2: LFPT- ON: Enable; OFF: Disable 3: Line Speed- ON: 10M; OFF: Auto</p> <p><b>LEP-401M-R</b> 1: PoE for PD- ON: Disable; OFF: Enable 2: LFPT- ON: Enable; OFF: Disable 3: PoE PD mode- ON: Passive PoE; OFF: Standard PoE</p>

### PORT INTERFACE

<b>Network Connector</b>	<p><b>LEP-401M-L</b> 2 pin Terminal Block for power input connector 1 RJ45 for LAN 10/100Base-TX Ethernet port 1 RJ-45 for extension distance and delivery power and communication data to remote unit</p> <p><b>LEP-401M-R</b> 1 RJ45 for LAN 10/100Base-TX PoE/PSE Ethernet 1 RJ-45 for long distance receiving power and communication data from local unit</p>
<b>LED Indicators</b>	<p><b>LEP-401M-L</b> Power (Green); Delivery Power Range &lt;15W (Amber), &gt;15W (Green); LFPT (Amber) LAN Link active (Green), Line Speed/Link active 10M(Amber), 100M(Green)</p> <p><b>LEP-401M-R</b> Power (Green); PoE Power Range for PD &lt;15W (Amber), &gt;15W (Green); LFPT (Amber); LAN Link active (Green) Line Speed/Link active 10M (Amber), 100M (Green)</p>

### MECHANICAL CHARACTERISTICS

<b>Housing</b>	Metal, IP30 protection
<b>Dimension</b>	52 x 25 x 102.5 mm (W x H x D)
<b>Weight</b>	Unit: 0.38 lb. Shipping: 0.75 lb.
<b>Mounting</b>	Wall mounting

### POWER REQUIREMENT

<b>Input Voltage</b>	55~57VDC
<b>Power Connection</b>	2-contact removable terminal block
<b>PoE Power Output</b>	30W
<b>System Power Consumption</b>	<p><b>LEP-401M-L:</b> &lt; 3W (without PoE); 34.5W (with PoE @ 30W) <b>LEP-401M-R:</b> &lt; 1.5W (without PoE); 32.5W (with PoE @ 30W)</p>

### ENVIRONMENTAL LIMITS

<b>Operating Temperature</b>	-40°C to 75°C
<b>Storage Temperature</b>	-40°C ~ 85°C
<b>Ambient Relative Humidity</b>	10 to 95%, (non-condensing)

### REGULATORY APPROVALS

<b>Free Fall</b>	IEC60068-2-31
<b>Shock</b>	IEC60068-2-27
<b>Vibration</b>	IEC60068-2-6
<b>EMC</b>	CE (EN55032, EN55035)
<b>EMI</b>	FCC Part 15 Subpart B Class A, CE
<b>EMS</b>	EN61000-4-2,3,4,5,6,8
<b>Warranty</b>	5 Years

## ORDERING INFORMATION

<b>LEP-401M-KIT</b>	Industrial IP30 Ethernet Extender, 800 meters, 10/100Mbps Ethernet PoE Extender (1 Pair: LEP-401M-L and LEP-401M-R)
<b>LEP-401M-L</b>	Industrial IP30 Ethernet Extender, 800 meters, 10/100Mbps Ethernet PoE Extender (Local End); EOT: -40°C to 75°C
<b>LEP-401M-R</b>	Industrial IP30 Ethernet Extender, 800 meters, 10/100Mbps Ethernet PoE Extender (Remote End); EOT: EOT: -40°C to 75°C

TO LEARN MORE - CONTACT:



sales@metromatics.com.au | www.metromatics.com.au

Brisbane 07 3868 4255 | Melbourne 03 9872 4592 | Sydney 02 9460 4355