

# INJ-C201G-bt-24-T

Industrial Gigabit PoE++ Injector  
 - 1\*10/100/1000Base-T(X) with PoE-PSE (90W/Port) +  
 1\*10/100/1000Base-T(X), Booster Version, 9~55VDC,  
 EOT: -40°C to 75°C



## Features

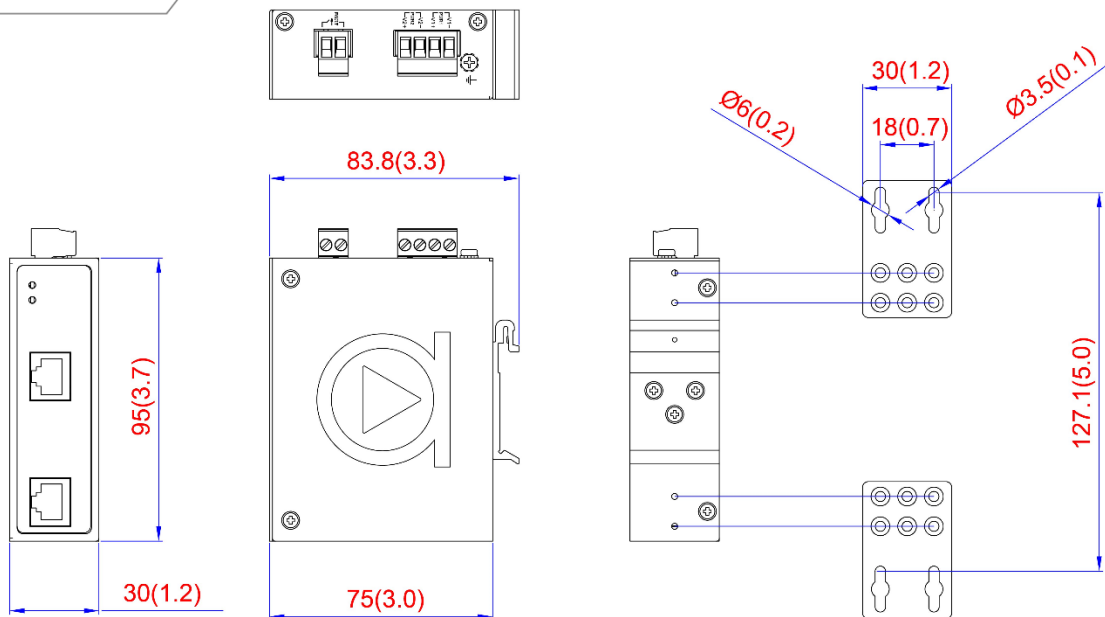
- ▶ Supports 10/100/1000Tx for PoE & Data Out
- ▶ IEEE 802.3af/at/bt Compliant PoE
- ▶ Provide Data and Power over Ethernet to Power Device
- ▶ Provides up to 90 Watts on PoE Port
- ▶ Provided power booster technologies for low voltage power inputs
- ▶ Redundant 9~55VDC power inputs design
- ▶ IP30 Protection
- ▶ Operating Temperature Range – -40°C to 75°C
- ▶ DIN-Rail or Wall Mountable
- ▶ 5-Year Warranty

## INTRODUCTION

Antaira Technologies' INJ-C201G-bt-24-T, solve the problem simply by deploying data and power from non-PoE switch and power input to the PD device. PoE injector is a brilliant low-cost solution for the case that only one side of devices is supporting PoE function. Therefore, INJ-C201G-bt-24-T will be your best choice to deal with the lack of PoE function cases.

INJ-C201G-bt-24-T support low voltage 9VDC model with power booster technology, ensuring full 90W PoE output, for better usage in the automation industry. INJ-C201G-bt-24-T with fan-less design, besides extending surely apply to various industrial application, it works perfectly in polarized temperature from -40°C to 75°C, and undoubtedly becomes your best option in the industrial market.

## DIMENSIONS



Unit: mm (inch)

Din-rail

Wall-mount

## SPECIFICATIONS

<b>Technology</b>		<b>Power Requirement</b>	
<b>Standards</b>	IEEE 802.3 10BaseT Ethernet	<b>Input Voltage</b>	9~55VDC Redundant Input
	IEEE 802.3u 100BaseTX Fast Ethernet	<b>Power Connection</b>	1 removable 4-contact terminal block
	IEEE 802.3ab 1000BaseT(X)	<b>Relay Contact</b>	24VDC, 1A resistive
	IEEE 802.3af/at/bt Power over Ethernet	<b>Reverse Polarity Protection</b>	Present
<b>Switch Properties</b>		<b>Overload Current Protection</b>	Present
<b>Transfer Rate</b>	14,880pps for Ethernet Port	<b>PoE Pin Assignment</b>	V-, V-, V+, V+, for pin 1, 2, 3, 6;
	148,800pps for Fast Ethernet Port		V+, V+, V-, V-, for pin 4, 5, 7, 8
	1,488,000pps for Gigabit Ethernet Port		*Support Modes: Mode A, Mode B, 4-Pair Mode
<b>Interface</b>			<b>PoE Power Budget</b>
<b>Ethernet Port</b>	2*10/100/1000BaseT(X) (1*Data IN, 1*PoE OUT)	<b>System Power Consumption</b>	1.6W
<b>LED Indicators</b>	Power, PoE	<b>Environmental Limits</b>	
<b>Mechanical Characteristics</b>		<b>Operating Temperature</b>	-40°C to 75°C
<b>Housing</b>	Metal, IP30 protection	<b>Storage Temperature</b>	-40°C to 85°C
<b>Dimensions</b>	30 x 95 x 75 mm (W x H x D)	<b>Ambient Relative Humidity</b>	5 to 95%, (non-condensing)
<b>Weight</b>	Unit: 0.79 lb. Shipping: 1.14 lbs.	<b>Regulatory Approvals</b>	
<b>Mounting</b>	DIN-Rail Mounting, Wall Mounting	<b>EMI</b>	FCC Part 15 Subpart B Class A, CE EN55032/EN61000-6-4 Class A
<b>Protection</b>		<b>EMS</b>	CE EN55035/EN61000-6-2, IEC61000-4-2,3,4,5,6,8
<b>Network Cable</b>	10Base-T: 2-pair UTP/STP Cat. 3, 4, 5 cable	<b>Free Fall</b>	IEC60068-2-32
	EIA/TIA-568 100-ohm (100m)	<b>Shock</b>	IEC60068-2-27
	100Base-TX: 2-pair UTP/STP Cat. 5 cable	<b>Vibration</b>	IEC60068-2-6
	EIA/TIA-568 100-ohm (100m)	<b>Green</b>	RoHS Compliant
1000Base-TX: 4-pair UTP/STP Cat.5/5E cable;		<b>Certifications</b>	FCC, CE, UL 61010-1, UL 61010-2-201
EIA/TIA-568 100-ohm (100m)		<b>Compliance</b>	NEMA TS1/TS2
<b>NOTE: The total length from the device A through the Injector to the device B must not exceed 100 meters</b>		<b>Warranty</b>	5 Years

## ORDERING INFO

<b>INJ-C201G-bt-24-T</b>	Industrial Gigabit PoE++ Injector - 1*10/100/1000Base-T(X) with PoE-PSE (90W/Port) + 1*10/100/1000Base-T(X), Booster Version, 9~55VDC, EOT: -40°C to 75°C
--------------------------	---