

DTD-480-0953-T

480W Industrial DC to DC Power Booster, 9~36VDC Power Input, 53VDC Power Output, -40°C ~ 75°C



FEATURES

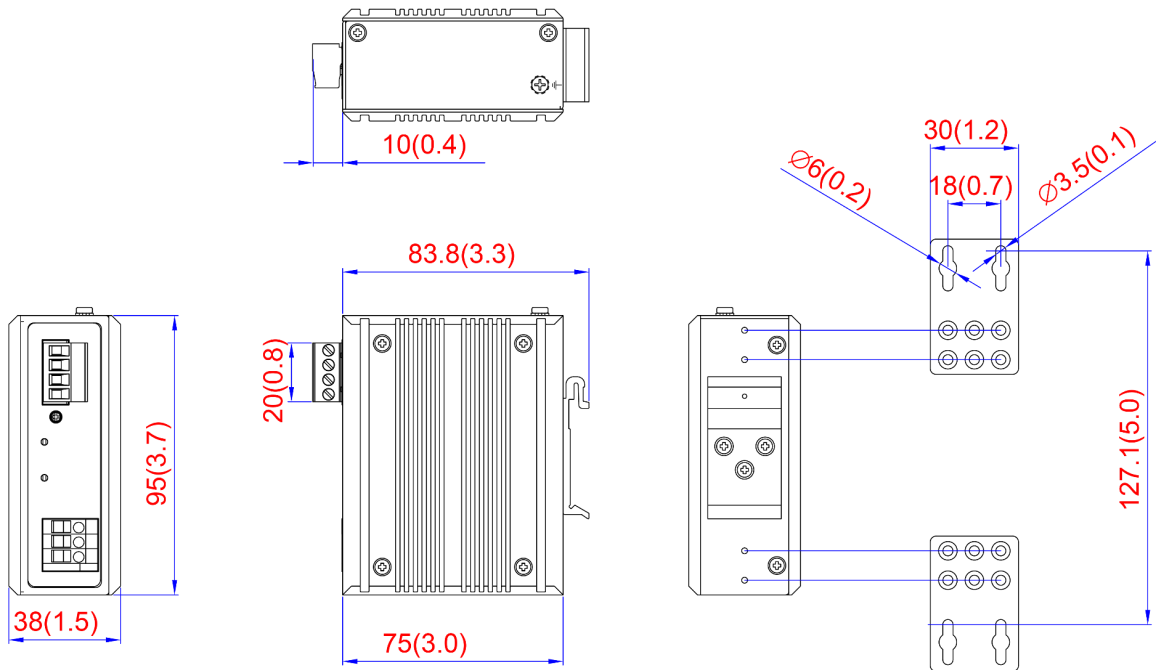
- ▶ Featuring the Booster Technology from 9~36VDC Power Input to 53VDC Power Output
- ▶ Output Voltage Adjustable (48V~55V) via Built-In SVR
- ▶ Short Circuit (Output) / Overload (Input) Protection
- ▶ Input / Output Reverse Polarity Protection
- ▶ Input Under Voltage Protection
- ▶ IP30 Protection
- ▶ DIN-Rail or Wall Mountable
- ▶ Operating Temperature Range: -40°C to 75°C
- ▶ 5-Year Warranty



INTRODUCTION

Antaira Technologies' DTD-480-0953-T is a DIN Rail mounted DC/DC converter that takes the low voltage power source common in many control cabinets and boost the output to 53VDC which can be used for standard PoE applications, and provides up to 480 watts of power. It is designed in a compact IP30 metal housing, with a wide operating temperature range of -40°C to 75°C. This unit is ideal for applications like automation, security or transportation where rugged, reliable products are required.

DIMENSIONS



Unit: mm (inch)

Din-rail

Wall-mount

SPECIFICATIONS

POWER INPUT

Input Voltage	9~36VDC
Power Connection	1*embedded 3-contact terminal block

POWER OUTPUT

Output Voltage	53VDC (48~55VDC adjustable via built-in SVR)
Power Connection	1*removable 4-contact terminal block
Max Current	17.5A
Rated Power	150W@9V, 180W@12V, 360W@24V, 480W@36V-55V

PORT INTERFACE

Overload Current Protection	Present (Slow-Blow Fuse)
Reverse Polarity Protection	Present

MECHANICAL CHARACTERISTICS

Housing	Metal, IP30 protection
Dimensions	38 x 95 x 75 mm (W x H x D)
Weight	Unit: 0.95 lb. Shipping: 1.23 lbs.
Mounting	DIN-Rail Mounting, Wall Mounting

ENVIRONMENTAL LIMITS

Operating Temperature	-40°C to 75°C
Storage Temperature	-40°C to 85°C
Ambient Relative Humidity	5 to 95%, (non-condensing)

REGULATORY APPROVALS

EMI	FCC Part 15 Subpart B Class A, CE EN55032/EN61000-6-4 Class A
EMS	CE EN55035/EN61000-6-2, IEC61000-4-2,3,4,5,6,8
Free Fall	IEC60068-2-32
Shock	IEC60068-2-27
Vibration	IEC60068-2-6
Green	RoHS Compliant
Certifications	FCC, CE
Warranty	5 Years

ORDERING INFORMATION

DTD-480-0953-T 480W Industrial DC to DC Power Booster, 9~36VDC Power Input, 53VDC Power Output, -40°C ~ 75°C