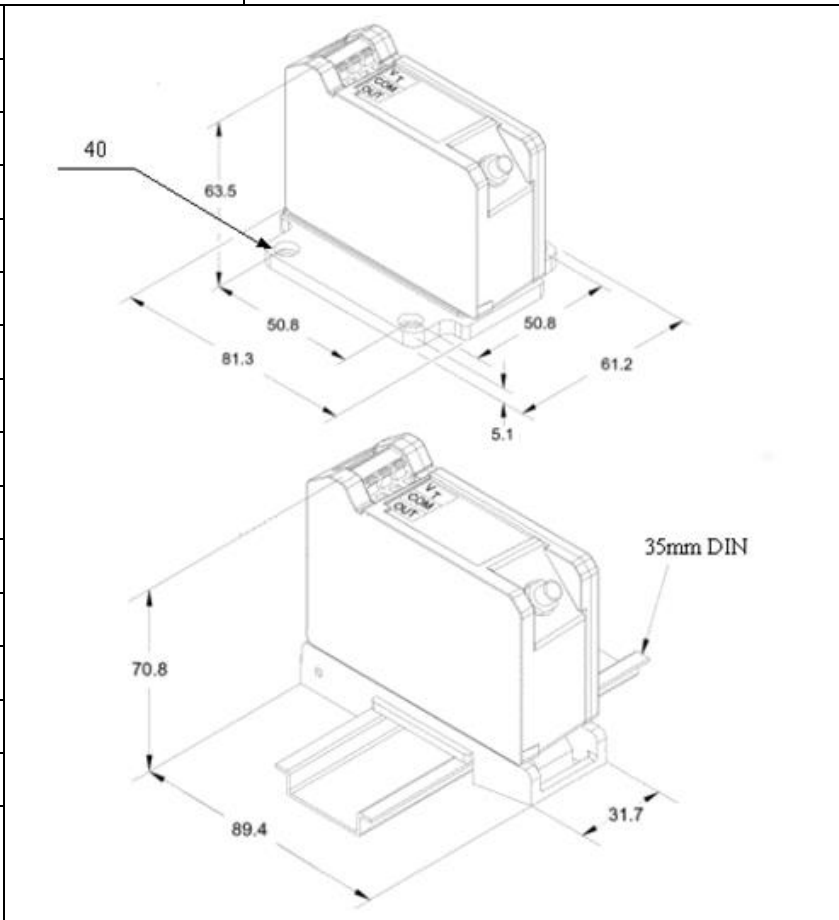


MM401D Series of non-contact eddy current displacement sensor is based on the principle of eddy current effect formed by high-frequency magnetic field on the metal surface, which is an ideal sensor for detecting and controlling the displacement, vibration, rotational speed and other mechanical quantities of metal objects. It has the obvious advantages of non-contact measurement, wide linear range, high sensitivity, strong anti-interference ability, no media influence, stable and reliable, easy to handle.



Performance	MM401D010
Output	-2 ~ -18 VDC
Sensitivity(±2%)	1.6 V/mm
Measurement Range	2.0 ~ 12.0 mm
Frequency Range(±3 dB)	DC ~ 5,000 Hz
Non-linearity	±1%
Temperature Range(Probe)	-20 ~ +100 °C
Temperature Range(Pre-amplifier)	-20 ~ +70 °C
Probe Output Connector	SMA
Pre-amplifier Output Type	Terminals
Power Supply	-24VDC/12mA
Probe Diameter	Φ25 mm
Probe Mounting Size	M30x2-110
Pre-amplifier Size	32x90x71
Calibration Material	#45 Steel



Metromatics

ABN: 47 007 346 287

Accessories	<ol style="list-style-type: none"> 1. Cable with probe 1ea 5m 2. Certificate of inspection 1ea 	25 Flinders Parade, North Lakes QLD 4509, AUSTRALIA www.metromatics.com.au sales@metromatics.com.au Brisbane: +61 7 3868 4255 Sydney: +61 2 9460 4355 Melbourne: +61 3 9872 4592
Remark	Pre-amplifier DIN type is available. Extension cable or armored cable is available	