

MVP-6200 Series

14/13/12th Generation Intel® Core™ Processor-Based Expandable Modular Industrial Computers

Features

- 14/13/12th Gen Intel® Core™ I processor (LGA 1700)
- Operating system options: Microsoft® Windows® or Linux® Ubuntu
- Rugged, fanless design for 24/7 operation
- Wide temperature operation from -20°C to 60°C
- Scalable with ADLINK's AFM (Adaptive Function Module) slot, offering custom I/O arrangements and fast application-specific access
- Flexible modular expansion support
- Front-accessible I/O ports; wall mounting supported
- Supports EdgeGO Remote Management and Control Software



Ordering Information

PN	Model Name	CPU	Memory
MVP-624x Series 4 expansion slots			
93-41053-1100	MVP-6249/M128G	i9-12900E	DDR5 128GB
93-41053-1000	MVP-6249/M64G	i9-12900E	DDR5 64GB
93-41053-3000	MVP-6247/M32G	i7-12700E	DDR5 32GB
93-41053-9000	MVP-6245/M32G	i5-12500TE	DDR5 32GB
MVP-622x Series 2 expansion slots			
93-41053-0300	MVP-6229/M128G	i9-12900E	DDR5 128GB
93-41053-6100	MVP-6229/M64G	i9-12900E	DDR5 64GB
93-41053-0000	MVP-6227/M32G	i7-12700E	DDR5 32GB
93-41053-8000	MVP-6225T/M16G	i5-12500TE	DDR5 16GB

Packing Lists

PN	Description	QTY
20-C2K0C-0000	Power connector (male)	1
34-33980-2000-A0	Wall mount BKT	1

Optional Accessories

PN	Description
31-62162-1010-A0	AC/DC Adapter, 280W

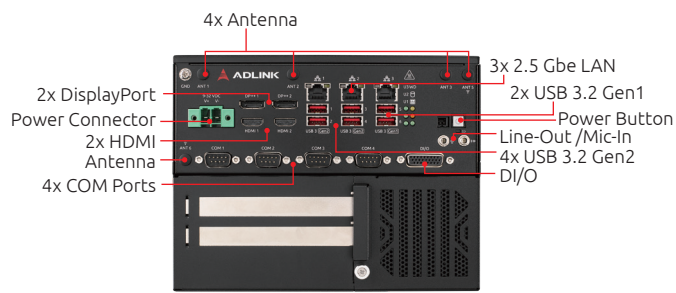
Embedded OS

PN	Description
92-56094-0010	Win10 IoT Ent LTSC 2021 High End
92-56094-2010	Win10 IoT Ent LTSC 2021 Value
92-56094-4010	Win10 IoT Ent LTSC 2021 Entry

Specifications

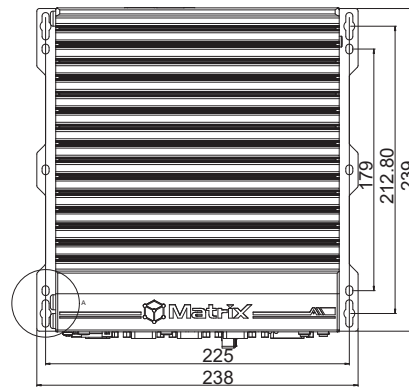
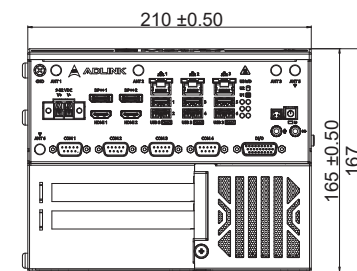
Model	MVP-6200
System	
CPU	12/13/14th Gen. Intel® Core™ Processors, up to 65W
Chipset	Intel® R680E
Memory	DDR5 3600 MHz, 4x SODIMM, up to 128GB (Support ECC memory)
Storage	2x SATA for 2.5" drive (support RAID 0/1/5/10)
OS	Windows 10 IoT Enterprise 64-bit, Windows 11 IoT Enterprise 64-bit or Ubuntu 22.04
TPM	TPM 2.0 support
I/O Interfaces	
Display	2x HDMI 1.4b 2x DP++ 1.4
USB	4x USB 3.2 Gen2 Type A 2x USB 3.2 Gen1 Type A
Ethernet	3x 2.5GBE with TSN supported (i225) 1x vPro supported
COM	COM1/2: RS-232/422/485 COM3/4: RS-232
Digital	8 DI + 8 DO
Audio	Line-out, Mic-in
SMA Antenna Connector	6
LED Indicator	1x storage, 1x WDT, 1x diagnostic and 3x user-dfined
Extension Slots	
Mini PCIe	-
USIM	-
I2C	2 (3.3V/5V)
Backplane Extension	2 slots: 1x PCIe4.0 x16, 1x PCI x1 4 slots: 1x PCIe4.0x16, 2x PCIe3.0x4, 1x PCI
M.2	1x A+E Key 2230 1x B Key 3052/3042 1x M Key 2280
Power Supply	
DC Input	9 to 32V, 280W adapter (optional)
AC Input	Optional: 280W AC/DC adapter
Mechanical	
Dimensions	MVP-6220 series: 165 (W) x 240 (D) x 210 (H) mm (6.5" x 9.45" x 8.27") MVP-6240 series: 206 (W) x 240 (D) x 210 (H) mm (8.11" x 9.45" x 8.27")
Weight	MVP-6220: 5.01 kg (11.04 lbs) MVP-6240: 5.4 kg (11.8 lbs)
Mounting	Wall mount
Environmental	
Operating Temperature	-20°C to 60°C (35W CPU) -20°C to 50°C (65W CPU)
Operating Humidity	~95% @ 40°C (non-condensing)
Storage Temperature	-40°C to 85°C
Operating Vibration	Operating: 5Grms, random, 5-500Hz, 3 axes (with SSD)
Operating Shock	Operating: 50G, half sine 11ms duration (with SSD)
ESD	Contact 4kV, Air 8kV
Regulatory	EN61000-6-4/-2, CE & FCC Class A, UL/cUL, CB, CCC

I/O View

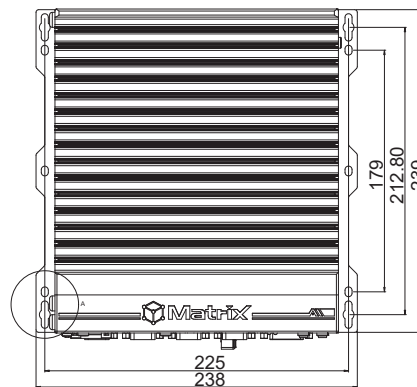
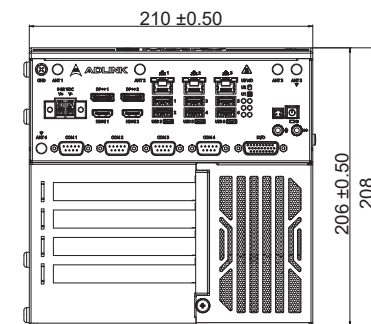


Product Dimensions and Illustration

2 Slots



4 Slots



CPU Support List

Family	Number	CPU Core	Frequency	Cache	Processor Base Power	Since BIOS
Alder Lake	i9-12900E	16	5.0 GHz	30 MB	65 W	1.03.10
Alder Lake	i9-12900TE	16	4.8 GHz	30 MB	35 W	1.03.10
Alder Lake	i7-12700E	12	4.8 GHz	25 MB	65 W	1.03.10
Alder Lake	i7-12700TE	12	4.7 GHz	25 MB	35 W	1.03.10
Alder Lake	i5-12500E	6	4.5 GHz	18 MB	65 W	1.03.10
Alder Lake	i5-12500TE	6	4.3 GHz	18 MB	35 W	1.03.10
Alder Lake	i3-12100E	4	4.2 GHz	12 MB	65 W	1.03.10
Alder Lake	i3-12100TE	4	4.0 GHz	12 MB	35 W	1.03.10
Raptor Lake	i9-13900E	24	5.2 GHz	36 MB	65 W	2.08.10
Raptor Lake	i9-13900TE	24	5.0 GHz	36 MB	35 W	2.08.10
Raptor Lake	i7-13700E	16	5.1 GHz	30 MB	65 W	2.08.10
Raptor Lake	i7-13700TE	16	4.8 GHz	30 MB	35 W	2.08.10
Raptor Lake	i5-13500E	14	4.6 GHz	24 MB	65 W	2.08.10
Raptor Lake	i5-13500TE	14	4.5 GHz	24 MB	35 W	2.08.10
Raptor Lake	i3-13100E	4	4.4 GHz	12 MB	65 W	2.08.10
Raptor Lake	i3-13100TE	4	4.1 GHz	12 MB	35 W	2.08.10
Raptor Lake Refresh	i9-14900	24	5.8 GHz	36 MB	65 W	2.08.10