

MXC-3300 Series

Intel® Processor N Series and Atom® x Series Expandable,
 Cost-Efficient Modular Industrial Computers

Features

- Intel® Processor N series and Atom x series
- DDR5 4800 MHz memory up to 16G
- Wide-temp operation from -20°C to 60°C (0.6m/s Air Flow)
- Variety expansion slot : 1x M.2 B-Key, E-Ky, M-Key and 3x PCIe (For 3340)
- Three display port : 1x HDMI, 2x DP
- Isolation communication port for RS-232/422/485, CAN
- Isolated Digital input and output
- TPM2.0 on board



Ordering Information

PN	Model Name	CPU	Memory	DP	HDMI	LAN	COM (Isolated)	CAN (Isolated)	SATA	M.2	USB2.0	USB3.0	DIO (Isolated)	PCIe slot
93-41057-00xx	MXC-3301/M8G	N97	DDR5 4800 MHz 8G	2	1	4	2	2	1	B,E,M	3	1	8DI/8DO	-
93-41057-40xx	MXE-3341/M8G	N97	DDR5 4800 MHz 8G	2	1	4	2	2	1	B,E,M	3	1	8DI/8DO	3

Packing Lists

PN	Description	QTY
34-35509-0000-A0	Wall mount BRACKET	2

Optional Accessories

PN	Description
31-62120-0010	160W, Adapter, 24V/6.67A
30-00001-0030	USA Power Cord

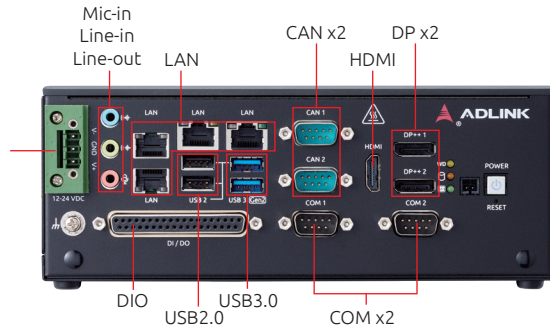
Embedded OS

PN	Description
92-56094-4010	Windows 10 IoT Ent LTSC 2021 Entry PKEA

Specifications

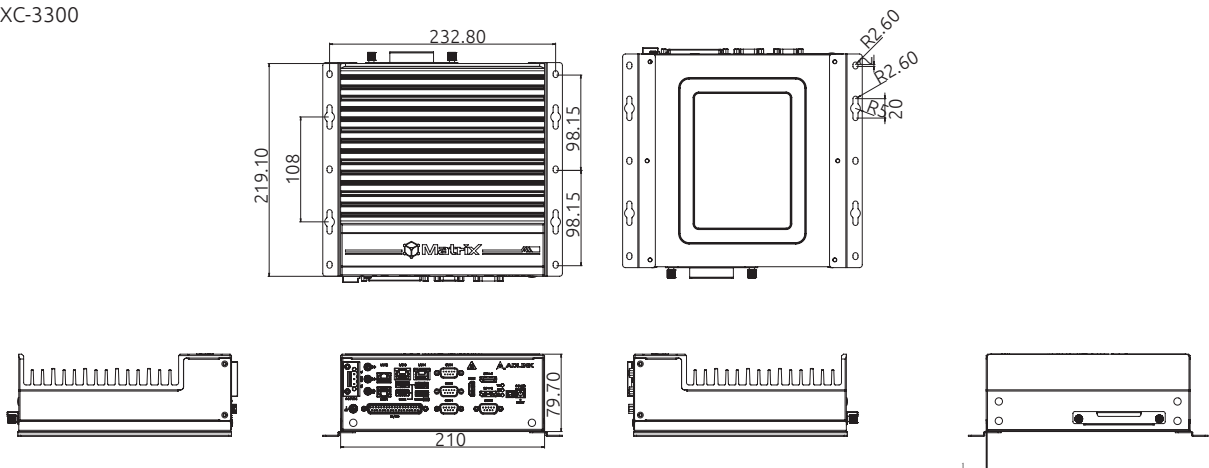
Model	MXC-3300	MXC-3340
SKU	MXC-3301	MXC-3341
	ADL-N,N97, 4-cores, 3.6GHz, 12W	
Memory		
DIMM Type/ Frequency	1x DDR5 SO-DIMMs, up to 4800MHz	
Max. Capacity	max 16 GB	
HDMI	1 (HDMI 2.0, 4096 x 2160 @ 60Hz)	
DisplayPort	2 (DP1.4, 4096 x 2160 @ 60Hz)	
Ethernet		
Gbe Port	4x GbE ports/I210IT (10/100/1000 Mbps Ethernet)	
Storage		
SSD	1x SATA III 6Gb/s for 2.5inch SSD (Removable tray)	1x SATA III 6Gb/s for 2.5inch SSD
I/O Ports		
USB	1x USB 3.0 (1A,5Gbps) Type-A connector 3x USB 2.0 Type-A connector	
COM	2x isolated RS-232/422/485 DB9 (1.5KV)	
CAN	2x DB9 isolated CAN ports with SJA1000 CAN controller (1.5KV)	
GPIO	8-CH DI and 8-CH DO with 1.5KV isolation	
Audio	Realtek ALC888S 1x line-in, 1x line-out, MIC-in ,1x 3 Jack	
Expansion Slots		
M.2	M.2 2280 M Key (PCIe x2) M.2 2230 E Key with (Wi-Fi(PCIex1), BT(USB2.0)) for wifi 6 M.2 3042 B-key (USB2.0)for 4G/ SIM card	
TPM		
	Yes (TPM 2.0, Infineon SLB9670/ Nuvoton co-lay)	
Form Factor		
Dimension	80 (W) x219 (D) x210(H) mm (WxDxH) (5.84" x 8.76" x 8.4)	142 (W) x219 (D) x210(H) mm (WxDxH) (5.84" x 8.76" x 8.4)
Power		
Power Supply	9-36V (+-5%)	9-36V (+-5%)
OS Support		
	Win 10 IoT LTSC 2021 Ubuntu 22.04	Win 10 IoT LTSC 2021 Ubuntu 22.04
Expansion		
I/O interface	NA	1x PCIe x8, 2x PCIe x4
Environment		
Operating Temperature	-20°C to 60°C (0.6m/s Air Flow)	
Storage Temperature	-40°C to 85°C (-40°F to 185°F) (excl. HDD/SDD/CF)	
Humidity	~95% @ 40°C (104°F) (non-condensing)	
Vibration Operating	3 Grms, IEC 60068-2-64, random vibration, 5 ~ 500 Hz, 1 hr/axis	
Shock Operating	30G, IEC60068-2-27, half sine, 11m duration	
ESD	IEC 61000-4-2 ESD: Contact: 4 kV; Air: 8 kV IEC 61000-4-3 RS: 80 MHz to 1 GHz: 10 V/m IEC 61000-4-4 EFT: Power: 2 kV; Signal: 1 kV IEC 61000-4-6 CS: 10 V IEC 61000-4-8 PFMF IEC 61000-4-5 Surge: Power: 0.5 kV; Signal: 1 kV	
EMC	CE and FCC Class B	
Safety	UL 62368, CB	

I/O View

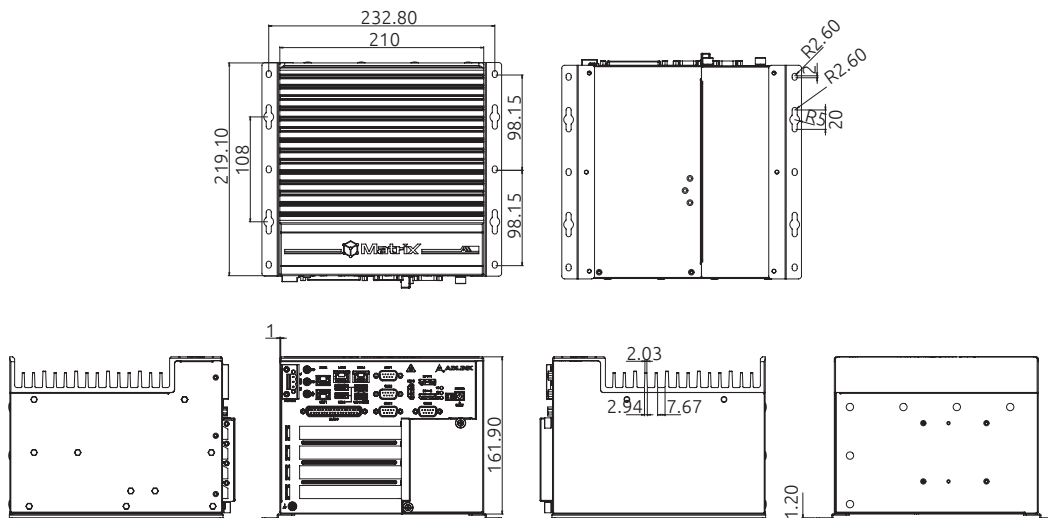


Product Dimensions and Illustration

MXC-3300



MXC-3340



CPU Support List

Family	Number	CPU Core	Frequency	Processor Base Power
Intel® Processor N Series	N50	2	1 GHz	6
Intel® Processor N Series	N97	4	2 GHz	12
Intel® Processor N Series	N200	4	1 GHz	6
Intel Atom® Processor X Series	x7425	4	1.5 GHz	12
Intel Atom® Processor X Series	x7835	8	3.6 GHz	12