

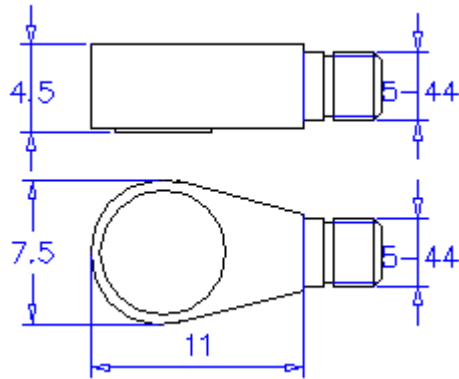
Product Model: **MM266A Series**

## Miniature Single Axis PE Accelerometer

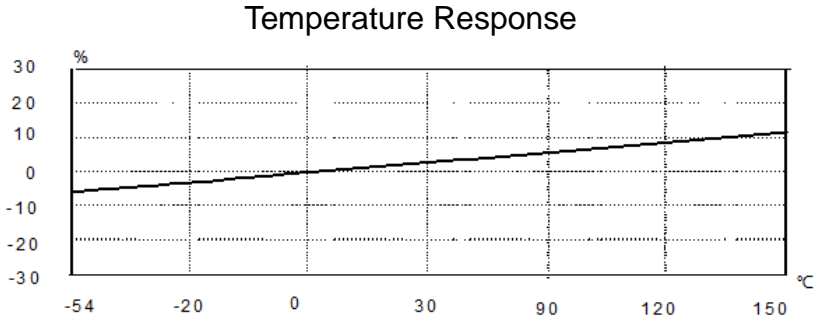
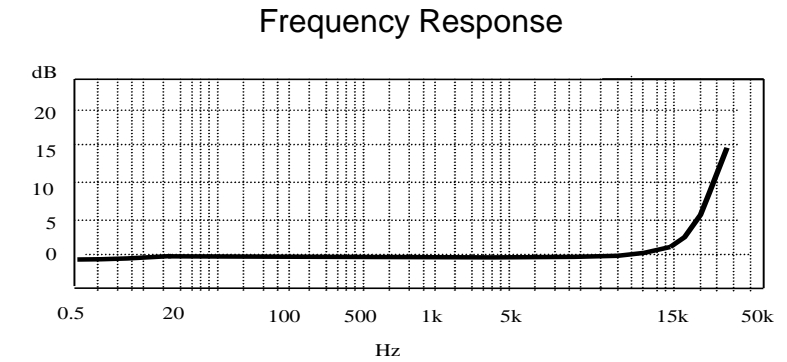
Version: A Date: 17/3/2022

**Sensor Features:**

- Ceramic material with wide temperature coefficient
- Stable output in high and low temperatures
- Shear design to reduce the influence of the environment on the signal



| Model                         | MM266A-01            |
|-------------------------------|----------------------|
| Sensitivity ( $\pm 10\%$ )    | 1.5 pC/g             |
| Measurement Range             | $\pm 2,000$ g        |
| Frequency Range ( $\pm 1$ dB) | 15,000 Hz            |
| Transverse Sensitivity        | $\leq 5\%$           |
| Resonant Frequency            | $\sim 50$ kHz        |
| Non Linearity                 | $\leq 1\%$           |
| Temperature Range             | -54 $\sim$ +150 °C   |
| Insulation Resistance         | $\geq 10^{10}\Omega$ |
| Housing Material              | Stainless Steel      |
| Sensing Element               | Ceramic/Shear        |
| Size mm                       | As left figure       |
| Weight                        | $\sim 1.7$ g         |
| Mounting                      | Adhesive             |
| Output Connector              | M3 or 5-44 Side      |



**Metromatics**

ABN: 47 007 346 287

|             |  |
|-------------|--|
| Accessories | • Certificate of inspection 1ea + 2M Low Noise cable 1ea |
|-------------|--|

|        |  |
|--------|--|
| Remark |  |
|--------|--|

25 Flinders Parade, North Lakes QLD 4509, AUSTRALIA  
[www.metromatics.com.au](http://www.metromatics.com.au)    [sales@metromatics.com.au](mailto:sales@metromatics.com.au)  
 Brisbane: +61 7 3868 4255    |    Sydney: +61 2 9460 4355  
 Melbourne: +61 3 9872 4592    |    Adelaide: +61 8 8343 8516